

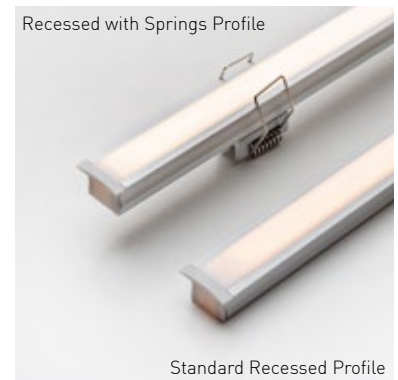
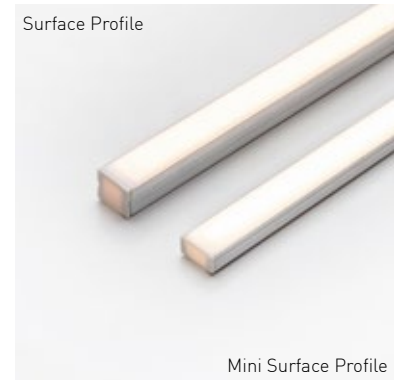
4480-4x2xx CROSSFLUX LEDBAR

PRODUCT SUMMARY

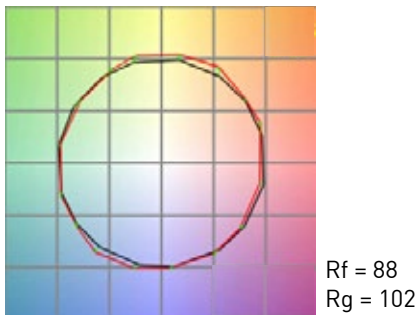
Set your interior scene with the Crossflux 2500K to 6000K colour temperature range via DALI or DMX. Ideal for residential, retail display and daylight enhancements.

PRODUCT DETAILS

- Linear interior LEDBar with bi-colour Tunable White LEDs: up 1800lm/m
- 5 Year guarantee
- LED Lifetime: 50,000Hrs (70% lumen maintenance)
- LEDs/m available (Pitch [mm]): 156 (6.4) & 120 (8.3)
- Tuneable White colours: 2500K-6500K
- Colour Rendering Index (CRI): 90+
- Bin/Step: 3 Step MacAdam ellipse
- Luminous Efficacy: Up to 87 lm/W
- Supply Voltage: 24V
- Driver: Remote constant voltage LED drivers available to suit LEDs.
- Dimming options: DALI, DMX or Analogue (0-10V)
- Rigid aluminium heatsink in custom lengths - 53.5mm -2015mm. Silver Anodised finish.
- Supplied cable length: 500mm



TM-30 DATA - CROSSFLUX 3000K LEDs



CRI COLOUR METRICS - CROSSFLUX 3000K LEDs

Ra	R1	R2	R3	R4	R5	R6	R7	R8	R9	R10	R11	R12	R13	R14	R15
96	99	98	97	97	99	95	93	90	81	97	97	86	99	99	98

COLOUR TEMPERATURES AVAILABLE



4480-4x2xx CROSSFLUX LEDBAR

EXAMPLE SPECIFICATION

4480-42211-90C-0515-D

CROSSFLUX LEDBar Surface IP40, Frosted Cover Lens, 8.3mm pitch LEDs, CRI 90+ Tunable White 2500K-6500K at 515mm Profile Length, Double Ended Wiring, Silver Anodised finish.

Profile Length (+ End Gaps) = 515mm, PCB Length = 500mm (10 x 50mm LED Modules), Total Length (+ End Caps) = 519mm
Strip wattage = 7.2W (10 x 0.72 Module Power), Strip output = Up to 700lm.

PRODUCT CODE EXAMPLE : 4480 - 4 2 2 1 1 - 90C - 0515 - D

CHANNEL	Surface	Recessed	Mini Surface	Corner	Recessed + Springs
CODE	2	3	6	7	9

COVER (PMMA)	Clear	Frosted	Opal
CODE	0	1	2

LED PITCH (mm)	LED Module length (mm)	LEDs / Modules	LEDs / m	Strip Power (W/m)	Module Power (W)	CODE
8.3	50	6	120	2 x 9.6	0.72	1
6.4	38.5	6	156	2 x 11.5	0.88	2

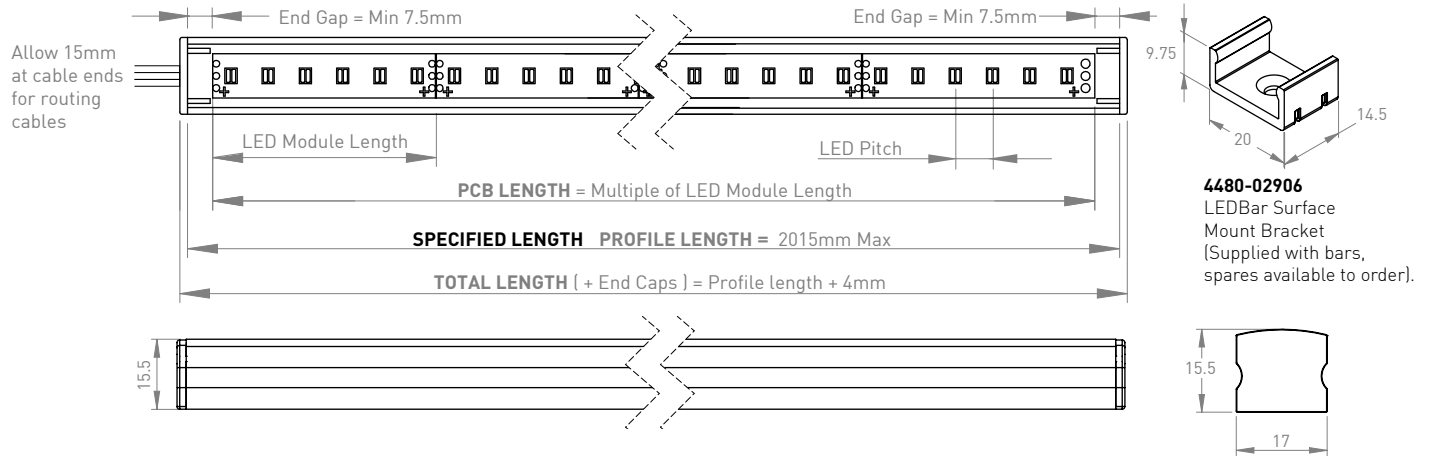
LED PITCH (mm)	CCT (k)	CRI	Lumen Output / Pitch (lm/m)	CODE
8.3	2500-6500K	90+	1300 - 1400	90C
6.4			1700 - 1800	

PROFILE LENGTH	
Minimum (mm)	65
Maximum (mm)	2015
CODE (Example with 8.3mm LED Pitch, 10 Modules + End Gaps)	0515
Maximum length in single wired run (mm)*	5,000

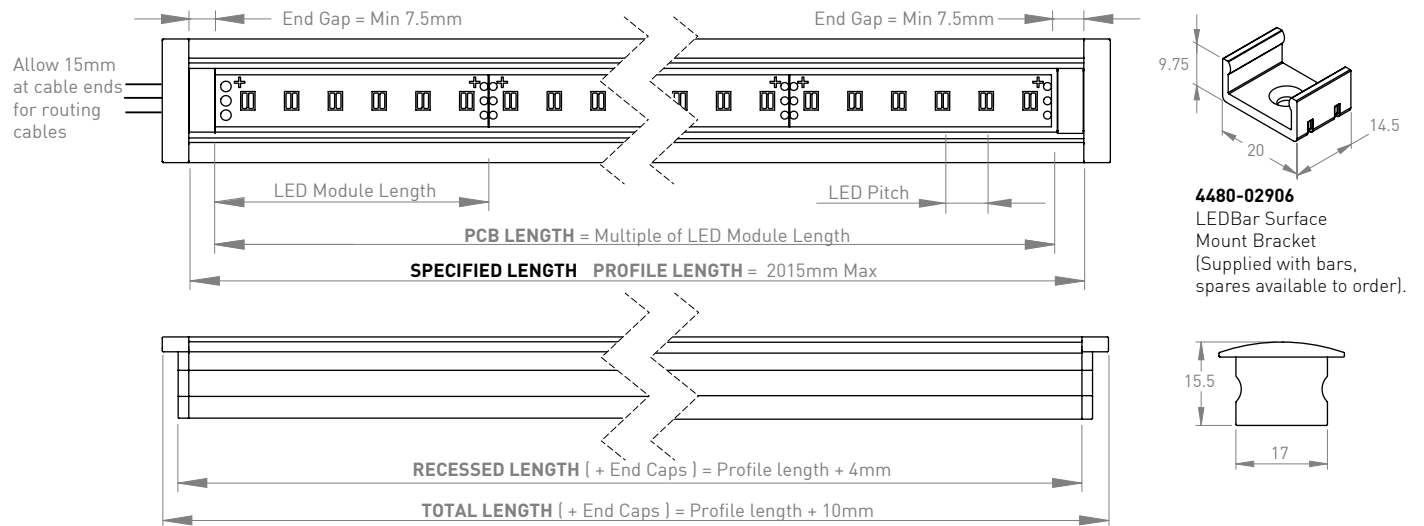
* Longer runs easily achievable using bus wiring - Please enquire for more information.

WIRING	Single Ended	Double Ended
CODE	S	D

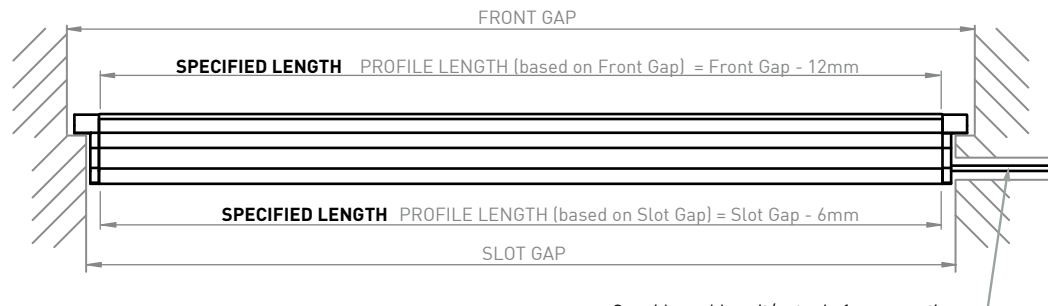
SURFACE PROFILE DIMENSIONS - CHANNEL CODE 2



RECESSED PROFILE DIMENSIONS - CHANNEL CODE 3

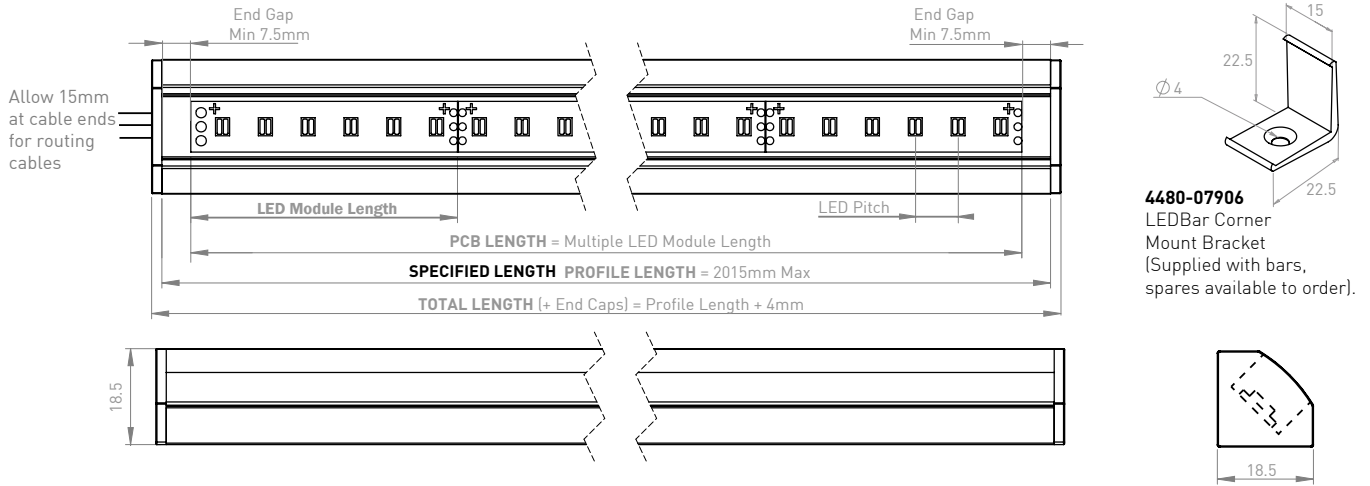


PRECISE RECESSED PROFILE LENGTHS:

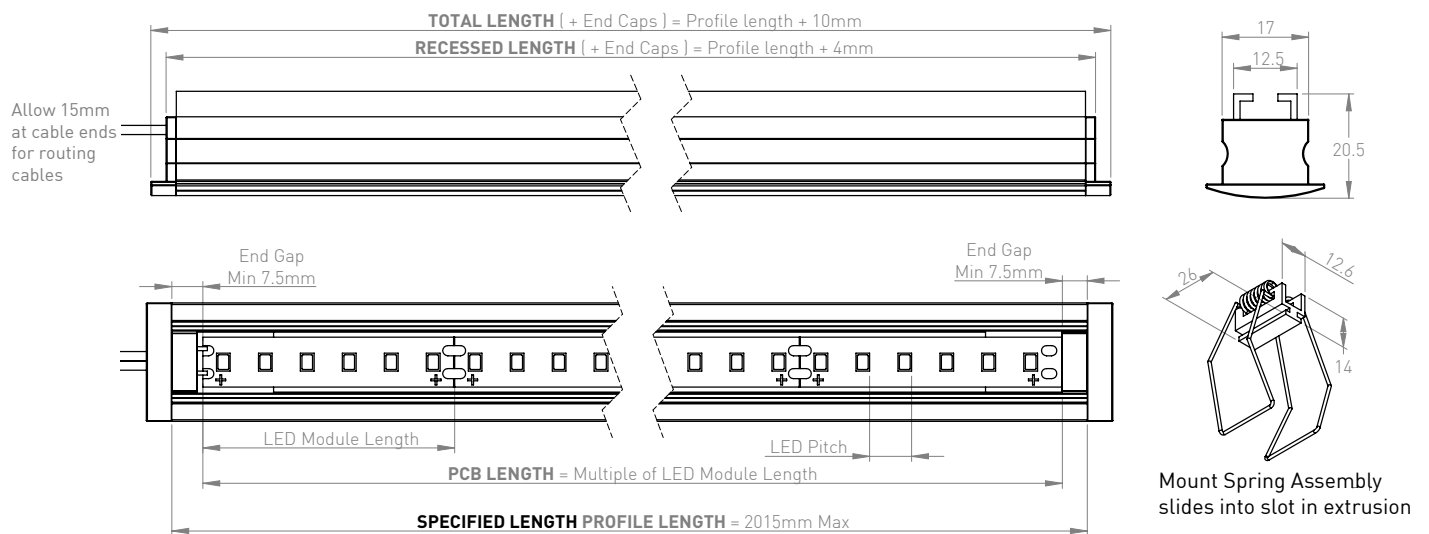


Consider cable exit/entry before mounting Recessed profile.
Allow sufficient space for routing cable.

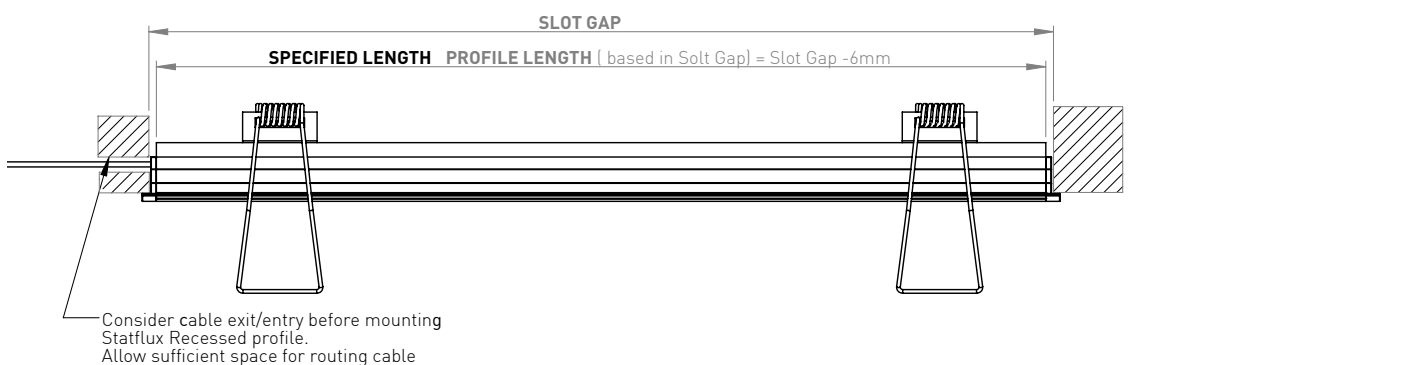
CORNER PROFILE DIMENSIONS - CHANNEL CODE 7



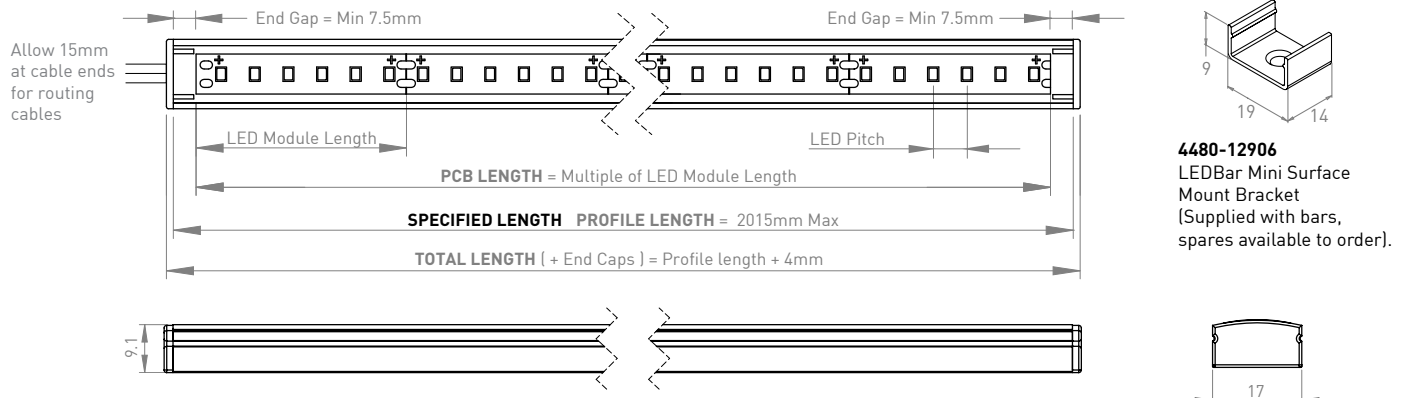
RECESSED WITH SPRINGS PROFILE DIMENSIONS - CHANNEL CODE 9



PRECISE RECESSED WITH SPRINGS PROFILE LENGTHS



MINI SURFACE PROFILE DIMENSIONS - CHANNEL CODE 6



4480-12906
LEDBar Mini Surface Mount Bracket
(Supplied with bars, spares available to order).

CROSSFLUX STANDARD LENGTH TABLE

PCB Module	Pitch = 6.4mm			Pitch = 8.3mm		
	ModuleLength = 38.5mm			ModuleLength = 50mm		
	PCB Length (mm)	Profile Length (mm)	Profile Length Code	PCB Length (mm)	Profile Length (mm)	Profile Length Code
1	38.5	53.5	0054	50	65	0065
2	77	92	0092	100	115	0115
3	115.5	130.5	0131	150	165	0165
4	154	169	0169	200	215	0215
5	192.5	207.5	0208	250	265	0265
6	231	246	0246	300	315	0315
7	269.5	284.5	0285	350	365	0365
8	308	323	0323	400	415	0415
9	346.5	361.5	0362	450	465	0465
10	385	400	0400	500	515	0515
⋮	⋮	⋮	⋮	⋮	⋮	⋮
40	1540	1555	1555	2000	2015	2015
⋮	⋮	⋮	⋮	⋮	⋮	⋮
52	2000	2015	-	-	-	-

Table Shows all standard lengths for up to 10 modules and for major steps thereafter up to the longest length available for each LED pitch. Intermediate incremental lengths all available, though not listed here, and follow the same length and code steps.

SPECIFYING LENGTHS

Crossflux LEDBar is specified by profile length, in standard or precise lengths.

Standard lengths are based on the LED PCB length. The profile must be at least 53.5mm. PCB length is a multiple of the module length of chosen LED pitch plus 15mm end gap.

Minimum lengths of profile for each pitch:

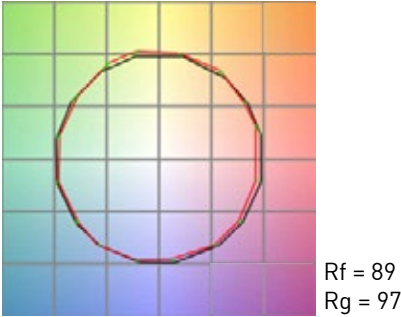
- 6.4mm = 53.5mm (1 x 38.5mm PCB + 15mm min end gap)
- 8.3mm = 65mm (1 x 50mm PCB + 15mm min end gap)

Precise lengths fit specific mounting locations. The profile is specified at its maximum length to fit the predetermined space. The LED PCB is centred within the profile and filled by a multiple of the selected LED module length.

When calculating the length of the LEDBar, the space required for end caps and cable entry needs to be considered. *Allow a minimum of 7.5mm for each cable return / entry.

See Pages 3, 4 and 5 for full dimensions of profiles

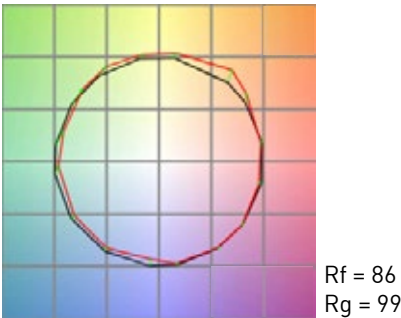
TM-30 DATA - CROSSFLUX WARM CHANNEL ONLY



CRI COLOUR METRICS - CROSSFLUX WARM CHANNEL ONLY

Ra	R1	R2	R3	R4	R5	R6	R7	R8	R9	R10	R11	R12	R13	R14	R15
92	93	95	95	93	91	95	93	80	55	86	93	77	94	96	98

TM-30 DATA - CROSSFLUX COOL CHANNEL ONLY



CRI COLOUR METRICS - CROSSFLUX COOL CHANNEL ONLY

Ra	R1	R2	R3	R4	R5	R6	R7	R8	R9	R10	R11	R12	R13	R14	R15
95	96	98	91	96	93	91	97	96	93	91	95	62	98	94	94

CORRECTED CCT WITH COVERS

CCT (K)	CCT + FROSTED COVER (K)	CCT + OPAL COVER (K)
1800	1780	1760
2400	2380	2310
2700	2660	2620
3000	2960	2910
3500	3450	3370
4000	3890	3750

Light Projects specifications are liable to be changed without notice.