

4480-5x2xx LENSED CROSSFLUX LEDBAR

**PRODUCT SUMMARY**

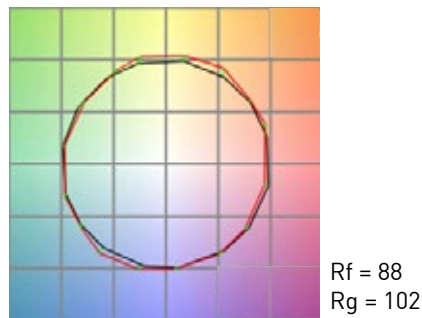
Set your interior scene with the Crossflux 2500K to 6500K color temperature range via DMX, and 2 beam angles. Ideal for residential, retail display and daylight enhancements.

**TECHNICAL DETAILS**

- Lensed LEDBar in 30° and 60° Lenses to control lighting effect.
- Linear interior LEDBar with Tunable White LEDs
- 5 Year guarantee
- LED Lifetime: 50,000Hrs (70% lumen maintenance)
- LEDs/m Available [Pitch [mm]]: 120 (8.3)
- Tuneable White colours: 2500K-6500K
- Colour Rendering Index (CRI): 90+
- Bin/Step: 3 Step MacAdam ellipse
- Luminous Efficacy: Up to 100 lm/W
- Supply Voltage: 24V
- Driver: Remote constant voltage LED drivers available to LEDs.
- Dimming options available: DALI, DMX or Analogue (0-10V)
- Rigid aluminium heatsink in custom lengths - 65mm - 2000mm. Silver Anodised finish
- Supplied cable length: 500mm



**TM-30 DATA - CROSSFLUX 3000K LEDs**



**CRI COLOUR METRICS - CROSSFLUX 3000K LEDs**

Ra	R1	R2	R3	R4	R5	R6	R7	R8	R9	R10	R11	R12	R13	R14	R15
96	99	98	97	97	99	95	93	90	81	97	97	86	99	99	98

**COLOUR TEMPERATURES AVAILABLE**



# 4480-5x2xx LENSED CROSSFLUX LEDBAR

## EXAMPLE SPECIFICATION

### 4480-44271-90C-0515-D

LENSED CROSSFLUX LEDBar Surface IP40, 30° Frosted Cover Lens, 8.3mm pitch LEDs, CRI 90+ Tunable White 2500K-6500K at 515mm Profile Length, Double Ended Wiring, Silver Anodised finish.

Profile Length (+ End Gaps) = 515mm, PCB Length = 500mm (10 x 50mm LED Modules),  
Total Length (+ End Caps) = 518mm Strip wattage = 7.2W (10 x 0.72 Module Wattage), Strip output = Up to 700lm.

PRODUCT CODE EXAMPLE : 4480 - 4 4 2 7 1 - 90C - 0515 - D

CHANNEL	Lensed
CODE	4

COVER (PMMA)	30° Frosted	60° Frosted
CODE	7	9

LED PITCH (mm)	LED Module length (mm)	LEDs / Modules	LEDs / m	Strip Power (W/m)	Module Power (W)	CODE
8.3	50	6	120	2 x 9.6	0.72	1

LED PITCH (mm)	CCT (k)	CRI	Lumen Output / Pitch (lm/m)	CODE
8.3	2500-6500K	90+	1300 - 1400	90C

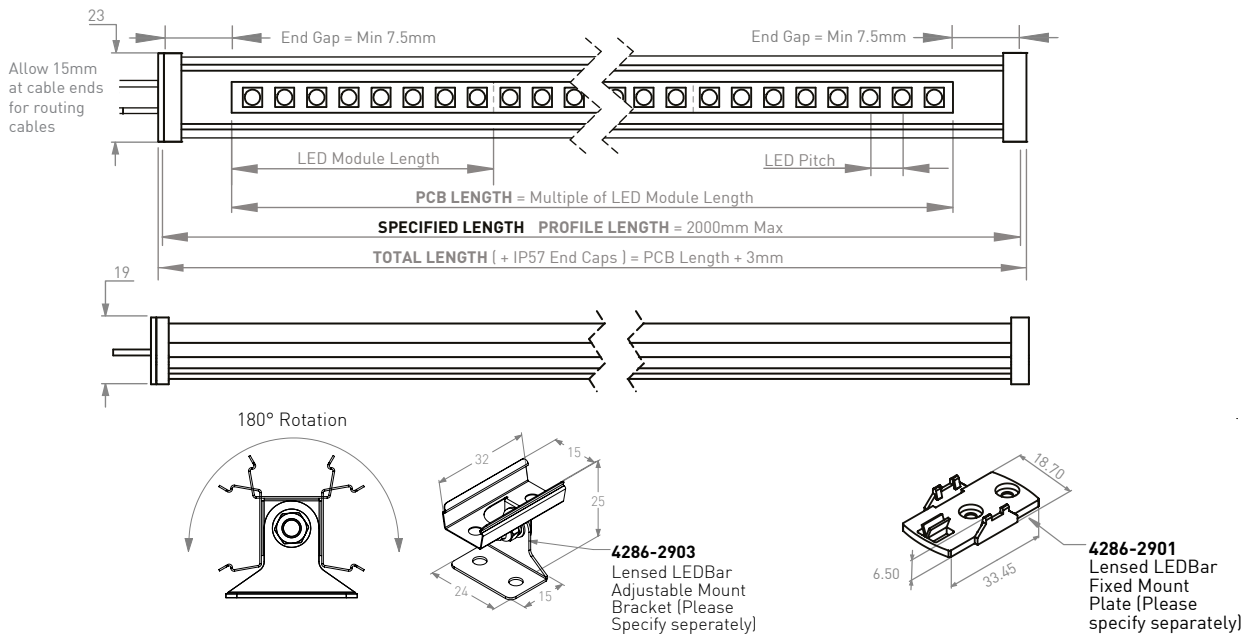
PROFILE LENGTH	
Minimum (mm)	65
Maximum (mm)	2000
CODE ( Example with 8.3mm LED Pitch, 10 Modules + End Gaps)	0515
Maximum length in single wired run (mm)*	5,000

\* Longer runs easily achievable using bus wiring - Please enquire for more information.

WIRING	Single Ended	Double Ended
CODE	S	D

# 4480-5x2xx LENSED CROSSFLUX LEDBAR

## LENSED PROFILE DIMENSIONS - CHANNEL CODE 4



## CROSSFLUX STANDARD LENGTH TABLE

PCB Module	Pitch = 8.3mm		
	ModuleLength = 50mm		
PCB Module	PCB Length (mm)	Profile Length (mm)	Profile Length Code
1	50	65	0065
2	100	115	0115
3	150	165	0165
4	200	215	0215
5	250	265	0265
6	300	315	0315
7	350	365	0365
8	400	415	0415
9	450	465	0465
10	500	515	0515
⋮	⋮	⋮	⋮
39	1950	1965	1965

## SPECIFYING LENGTHS

Crossflux LEDBar is specified by profile length, in standard or precise lengths.

**Standard lengths** are based on the LED PCB length. The profile must be at least 65mm. PCB length is a multiple of the module length of chosen LED pitch plus 15mm end gap.

Minimum lengths of profile for each pitch:

$$8.3\text{mm} = 65\text{mm} \quad (1 \times 50\text{mm PCB} + 15\text{mm min end gap})$$

**Precise lengths** fit specific mounting locations. The profile is specified at its maximum length to fit the predetermined space. The LED PCB is centred within the profile and filled by a multiple of the selected LED module length.

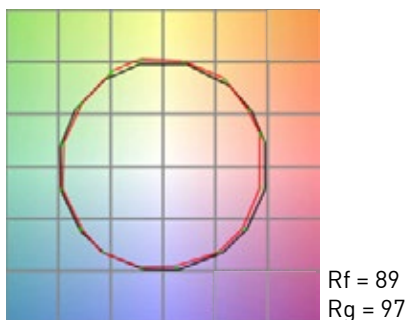
When calculating the length of the LEDBar, the space required for end caps and cable entry needs to be considered.

\*Allow a minimum of 7.5mm for each cable return / entry.

See Pages 3 for full dimensions of profiles

Table Shows all standard lengths for up to 10 modules and for major steps thereafter up to the longest length available for each LED pitch. Intermediate incremental lengths all available, though not listed here, and follow the same length and code steps.

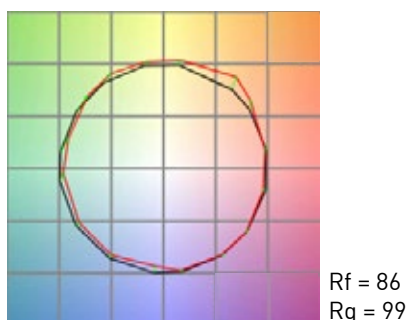
**TM-30 DATA - CROSSFLUX WARM CHANNEL ONLY**



**CRI COLOUR METRICS - CROSSFLUX WARM CHANNEL ONLY**

Ra	R1	R2	R3	R4	R5	R6	R7	R8	R9	R10	R11	R12	R13	R14	R15
92	93	95	95	93	91	95	93	80	55	86	93	77	94	96	98

**TM-30 DATA - CROSSFLUX COOL CHANNEL ONLY**



**CRI COLOUR METRICS - CROSSFLUX COOL CHANNEL ONLY**

Ra	R1	R2	R3	R4	R5	R6	R7	R8	R9	R10	R11	R12	R13	R14	R15
95	96	98	91	96	93	91	97	96	93	91	95	62	98	94	94

**CORRECTED CCT WITH COVERS**

CCT (K)	CCT + FROSTED COVER (K)
1800	1780
2400	2380
2700	2660
3000	2960
3500	3450
4000	3890