

4480-4x5xx HIGHFLUX LEDBAR

PRODUCT SUMMARY

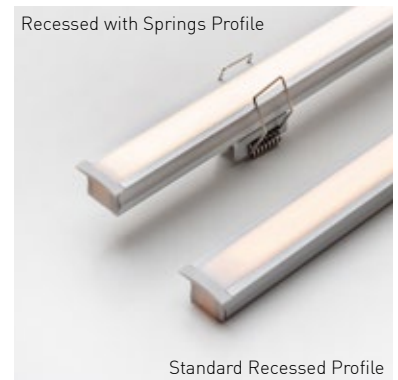
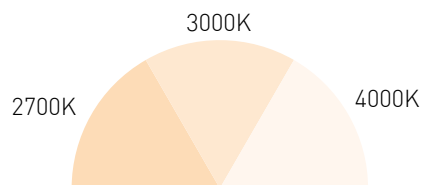
With 180lm/W, HighFlux is most efficient LEDBar in the LEDBar range, delivering productive output and efficacy for interior residential and commercial spaces.

PRODUCT DETAILS

- Linear interior LEDBar with Economical LEDs: up to 3950lm/m
- 5 Year guarantee
- LED Lifetime: 50,000Hrs (70% lumen maintenance)
- Ultra High Luminous Efficacy: Up to 180 lm/W
- LEDs/m Available (Pitch [mm]): 64 (15.6) & 128 (7.8)
- LED White Colour: 2700K, 3000K, 4000K
- Colour Rendering Index (CRI): 80+
- Bin/Step: 3 Step MacAdam ellipse
- Supply Voltage: 24V
- Driver: Remote constant voltage LED drivers available to suit LEDs.
- Dimming options: DALI, DMX, Analogue (0-10V) or Phase (Leading or Trailing)
- On board IC regulates optimum drive current to LEDs & allow for volt drop in DC voltage to strip (min 21Vdc max 36vdc)
- If temperature rises above maximum, sensor limits LED drive current until temperature reduces
- Rigid aluminium heatsink in custom lengths - 77.5mm - 2015mm. Silver Anodised finish.
- Supplied cable length: 500mm

IP40

COLOUR TEMPERATURES AVAILABLE



4480-4x5xx HIGHFLUX LEDBAR

EXAMPLE SPECIFICATION

4480-42512-830-0328-D

HIGHFLUX LEDBar Surface IP40, Frosted Cover Lens, 7.8mm pitch LEDs, CRI 80+ Warm White 3000K at 328mm Profile Length, Double Ended Wiring, Silver Anodised finish.

Profile Length (+ End Gaps) = 328mm, PCB Length = 312.5mm (5 x 62.5mm LED Modules), Total Length (+ End Caps) = 332mm Strip wattage = 6.9W (5 x 1.38 Module Power), Strip output = Up to 1234lm.

PRODUCT CODE EXAMPLE : 4480 - 4 2 5 1 2 - 830 - 0328 - D

CHANNEL	Surface	Recessed	Mini Surface	Corner	Recessed + Springs
CODE	2	3	6	7	9

COVER (PMMA)	Clear	Frosted	Opal
CODE	0	1	2

LED PITCH (mm)	LED Module length (mm)	LEDs / Modules	LEDs / m	Strip Power (W/m)	Module Power (W)	CODE
15.6	125	8	64	11.5	1.44	1
7.8	62.5	8	128	22	1.38	2

COLOUR MIX	CCT (K)	CRI	Lumen Output / Pitch (lm/m)		CODE
			15.6	7.8	
Incandescent White	2700	80+	1750	3250	827
Warm White	3000		1950	3750	830
Cool White	4000		2050	3950	840

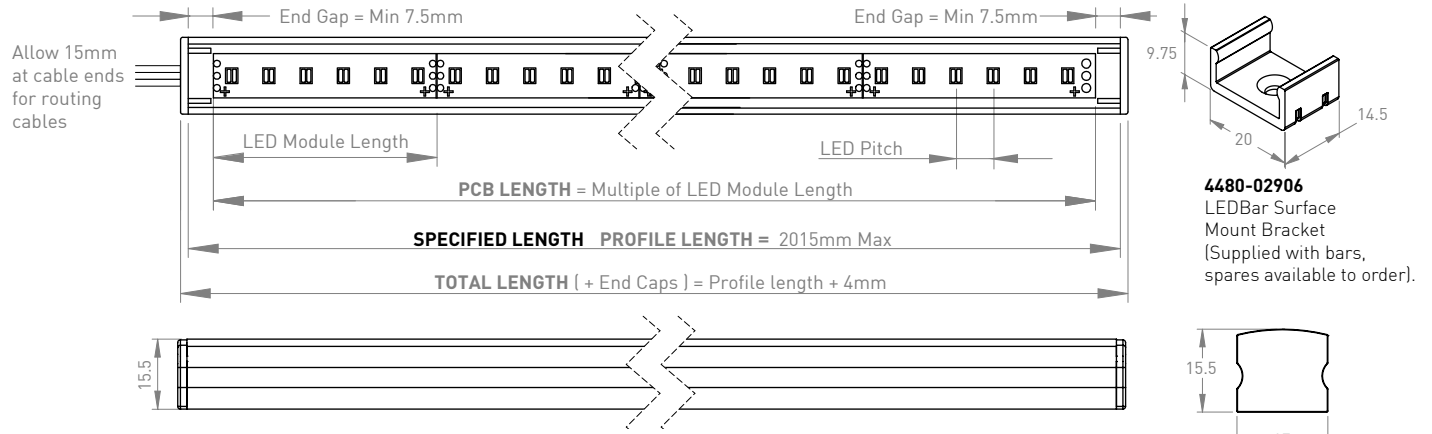
PROFILE LENGTH	
Minimum (mm)	78
Maximum (mm)	2015
CODE (Example with 7.8mm LED Pitch, 5 Modules + End Gaps)	0328
Maximum length in single wired run (mm)*	5,000

* Longer runs easily achievable using bus wiring - Please enquire for more information.

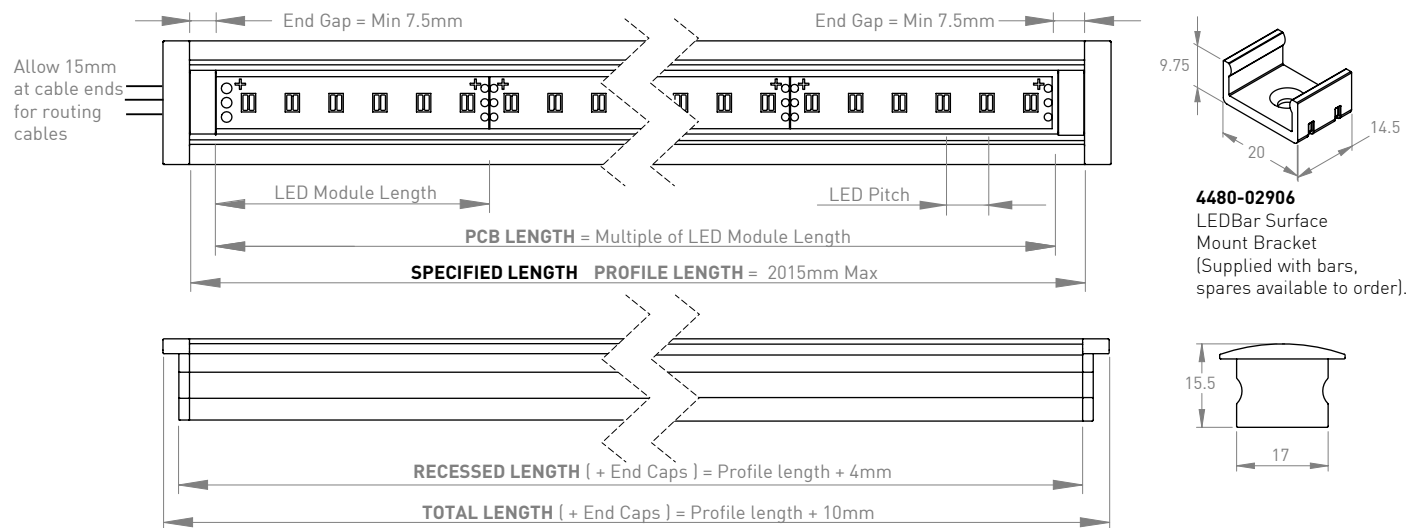
WIRING	Single Ended	Double Ended
CODE	S	D

4480-4x5xx HIGHFLUX LEDBAR

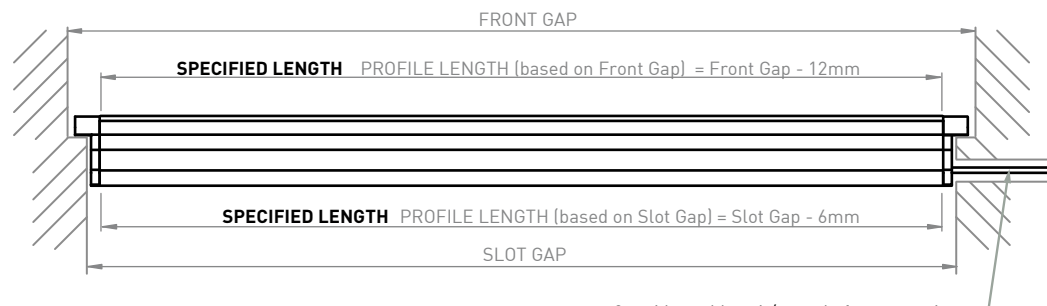
SURFACE PROFILE DIMENSIONS - CHANNEL CODE 2



RECESSED PROFILE DIMENSIONS - CHANNEL CODE 3



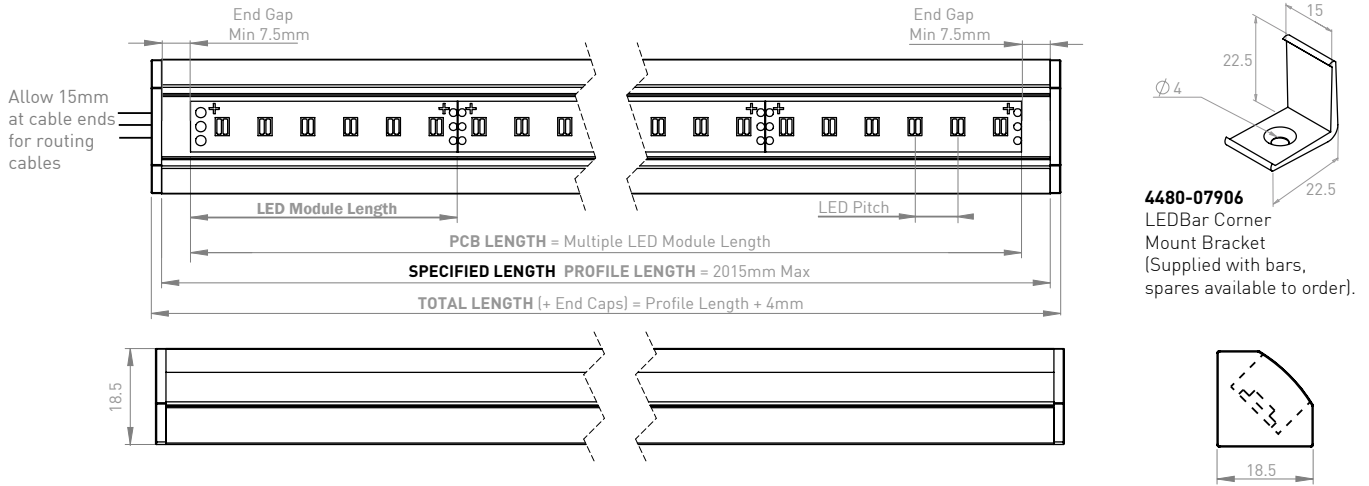
PRECISE RECESSED PROFILE LENGTHS:



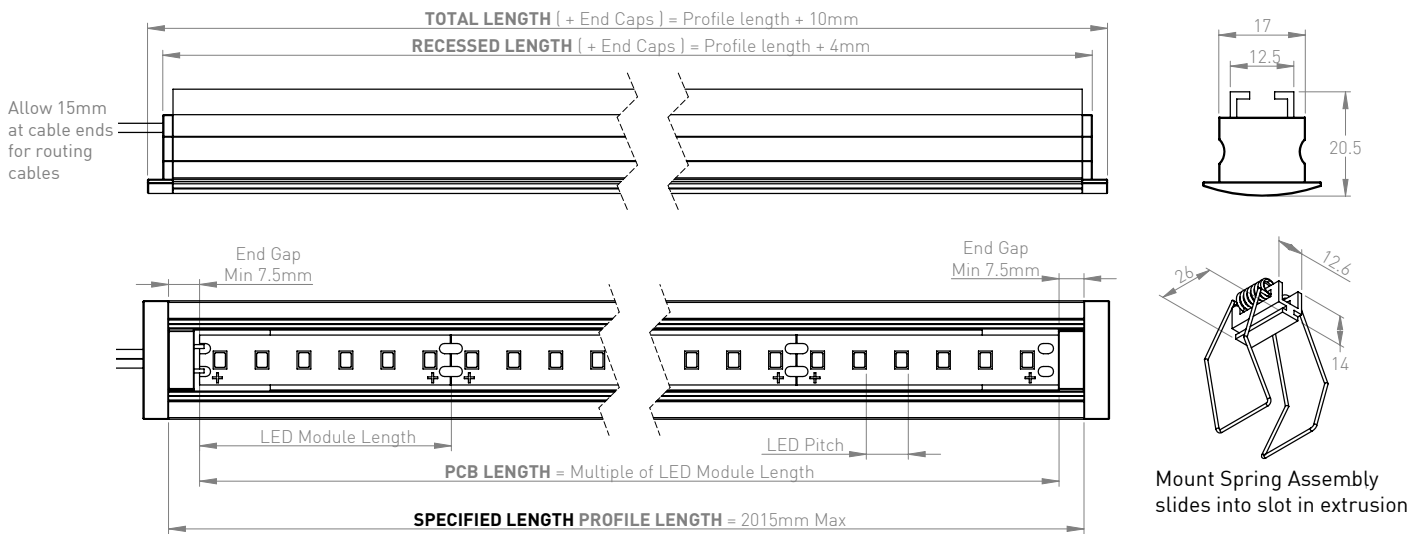
Consider cable exit/entry before mounting Recessed profile.
Allow sufficient space for routing cable.

4480-4x5xx HIGHFLUX LEDBAR

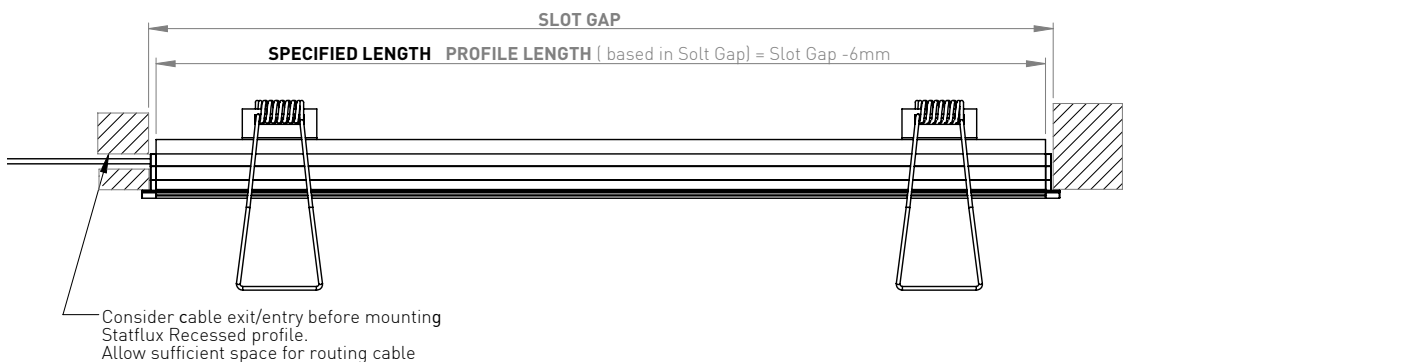
CORNER PROFILE DIMENSIONS - CHANNEL CODE 7



RECESSED WITH SPRINGS PROFILE DIMENSIONS - CHANNEL CODE 9

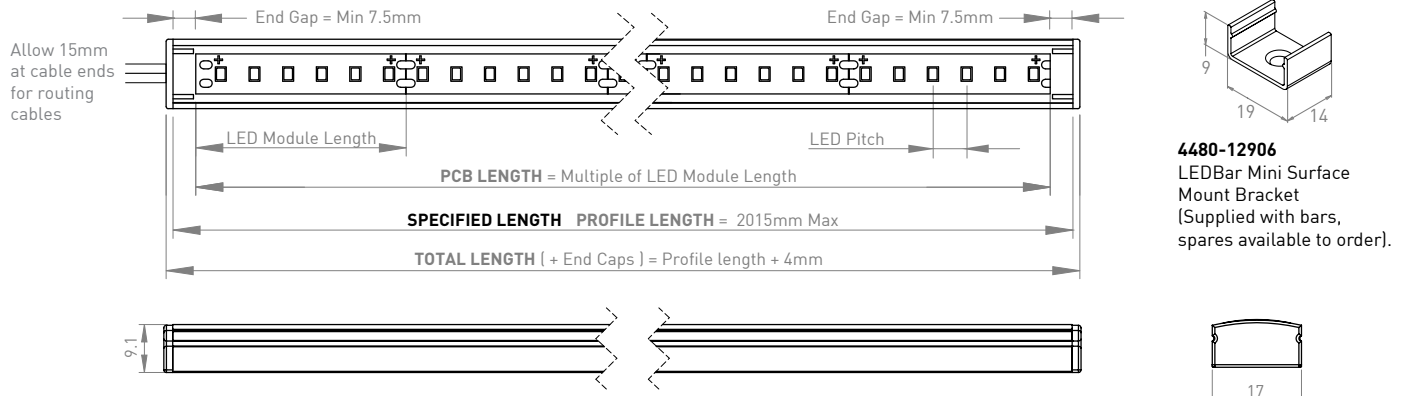


PRECISE RECESSED WITH SPRINGS PROFILE LENGTHS



4480-4x5xx HIGHFLUX LEDBAR

MINI SURFACE PROFILE DIMENSIONS - CHANNEL CODE 6



HIGHFLUX STANDARD LENGTH TABLE

PCB Module	Pitch = 7.8mm			Pitch = 15.6mm		
	PCB Length (mm)	Profile Length (mm)	Profile Length Code	PCB Length (mm)	Profile Length (mm)	Profile Length Code
1	62.5	77.5	0078	125	140	0140
2	125	140	0140	250	265	0265
3	187.5	202.5	0203	375	390	0390
4	250	215	0215	500	515	0515
5	312.5	327.5	0328	625	640	0640
6	375	390	0390	750	765	0765
7	437.5	452.5	0453	875	890	0890
8	500	515	0515	1000	1015	1015
9	562.5	577.5	0578	1125	1140	1140
10	625	640	0640	1250	1265	1265
⋮	⋮	⋮	⋮	⋮	⋮	⋮
16	1000	1015	1015	2000	2015	2015
⋮	⋮	⋮	⋮	⋮	⋮	⋮
32	2000	2015	2015	-	-	-

Table Shows all standard lengths for up to 10 modules and for major steps thereafter up to the longest length available for each LED pitch. Intermediate incremental lengths all available, though not listed here, and follow the same length and code steps.

SPECIFYING LENGTHS

Highflux LEDBar is specified by profile length, in standard or precise lengths.

Standard lengths are based on the LED PCB length. The profile must be at least 77.5mm. PCB length is a multiple of the module length of chosen LED pitch plus 15mm end gap.

Minimum lengths of profile for each pitch:

15.6mm = 140mm (1 x 125mm PCB + 15mm min end gap)
7.8mm = 77.5mm (1 x 62.5mm PCB + 15mm min end gap)

Precise lengths fit specific mounting locations. The profile is specified at its maximum length to fit the predetermined space. The LED PCB is centred within the profile and filled by a multiple of the selected LED module length.

When calculating the length of the LEDBar, the space required for end caps and cable entry needs to be considered.

*Allow a minimum of 7.5mm for each cable return / entry.

See Pages 3, 4 and 5 for full dimensions of profiles

CORRECTED CCT WITH COVERS

CCT (K)	CCT + FROSTED COVER (K)	CCT + OPAL COVER (K)
2700	2660	2620
3000	2960	2910
4000	3890	3750