

PRODUCT SUMMARY

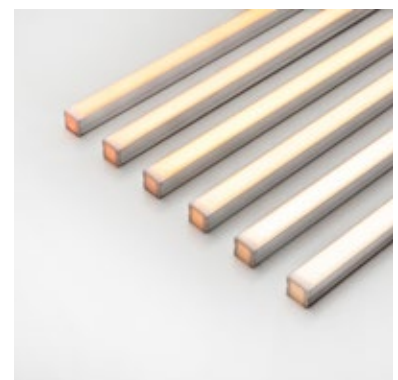
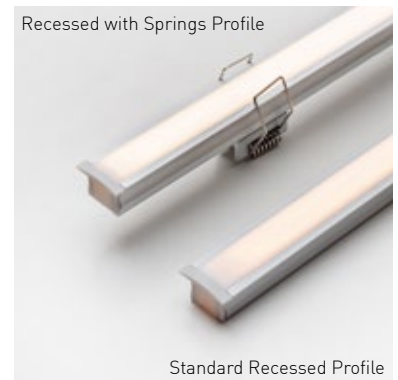
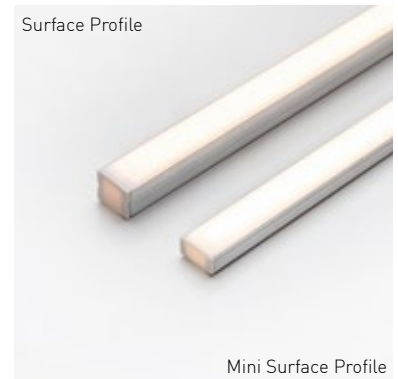
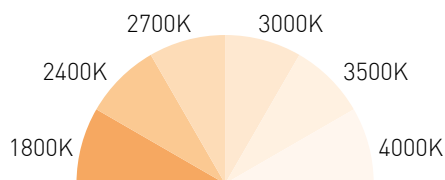
A premium go to linear LED offering versatility in a compact form; 6 white colour temperatures with 5 different pitches for a multitude of applications.

PRODUCT DETAILS

- Linear interior LEDBar with 2016 SMD LEDs: up to 1850lm/m
- LED Lifetime: 50,000Hrs (70% lumen maintenance)
- 5 Year guarantee
- LEDs/m available (Pitch [mm]): 60 (16.7), 120 (8.3), 180 (5.6), 240 (4.2), 300 (3.3)
- LED White Colour: 1800K, 2400K, 2700K, 3000K, 3500K, 4000K
- Colour Rendering Index (CRI): 90+
- Bin/Step: 3 Step MacAdam ellipse
- Luminous Efficacy: Up to 87.5 lm/W
- Supply Voltage: 24V
- Driver: Remote constant voltage LED drivers available to suit LEDs.
- Dimming options: DALI, DMX, Analogue (0-10V) or Phase (Leading or Trailing)
- Rigid aluminium heatsink in custom lengths - 55mm - 2015mm. Silver Anodised finish.
- Supplied cable length: 500mm

IP40

COLOUR TEMPERATURES AVAILABLE



4480-4x0xx STATFLUX LEDBAR

EXAMPLE SPECIFICATION

4480-42015-930-0615-D

STATFLUX LEDBar Surface IP40, Frosted Cover Lens, 3.3mm pitch LEDs, CRI 90+, Warm White 3000K in 615mm Profile Length, Double Ended Wiring, Silver Anodised finish.

Profile Length (+ End Gaps) = 615mm, PCB Length = 600mm (30 x 20mm LED Modules), Total Length (+ End Caps) = 619mm
Strip wattage = 14.4W (30 x 0.48 Module Power) , Strip output = Up to 1110lm.

PRODUCT CODE EXAMPLE : 4480 - 4 2 0 1 5 - 930 - 0615 - D

CHANNEL	Surface	Recessed	Mini Surface	Corner	Recessed + Springs
CODE	2	3	6	7	9

COVER (PMMA)	Clear	Frosted	Opal
CODE	0	1	2

LED PITCH (mm)	LED Module length (mm)	LEDs / Modules	LEDs / m	Strip Power (W/m)	Module Power (W)	CODE
16.7	100	6	60	4.8	0.48	1
8.3	50	6	120	9.6	0.48	2
5.6	33.5	6	180	14.4	0.48	3
4.2	25	6	240	19.2	0.48	4
3.3	20	6	300	24	0.48	5

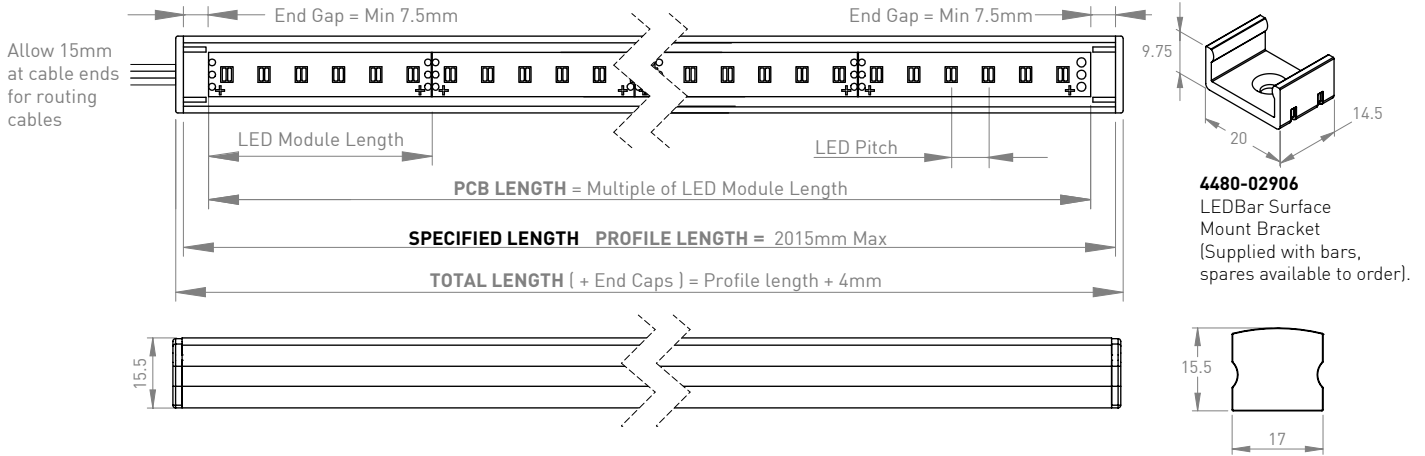
COLOUR MIX	CCT (K)	CRI	Lumen Output / Pitch (lm/m)					CODE
			16.7	8.3	5.6	4.2	3.3	
Candle White	1800	90+	320	680	1000	1350	1700	918
Extra Warm White	2400		330	690	1020	1370	1720	924
Incandescent White	2700		340	700	1040	1390	1750	927
Warm White	3000		350	710	1060	1410	1770	930
Neutral White	3500		360	720	1080	1430	1800	935
Cool White	4000		380	740	1110	1500	1850	940

PROFILE LENGTH	
Minimum (mm)	55
Maximum (mm)	2015
CODE (Example with 3.3mm LED Pitch, 30 Modules + End Gaps)	0615
Maximum length in single wired run (mm)*	5,000

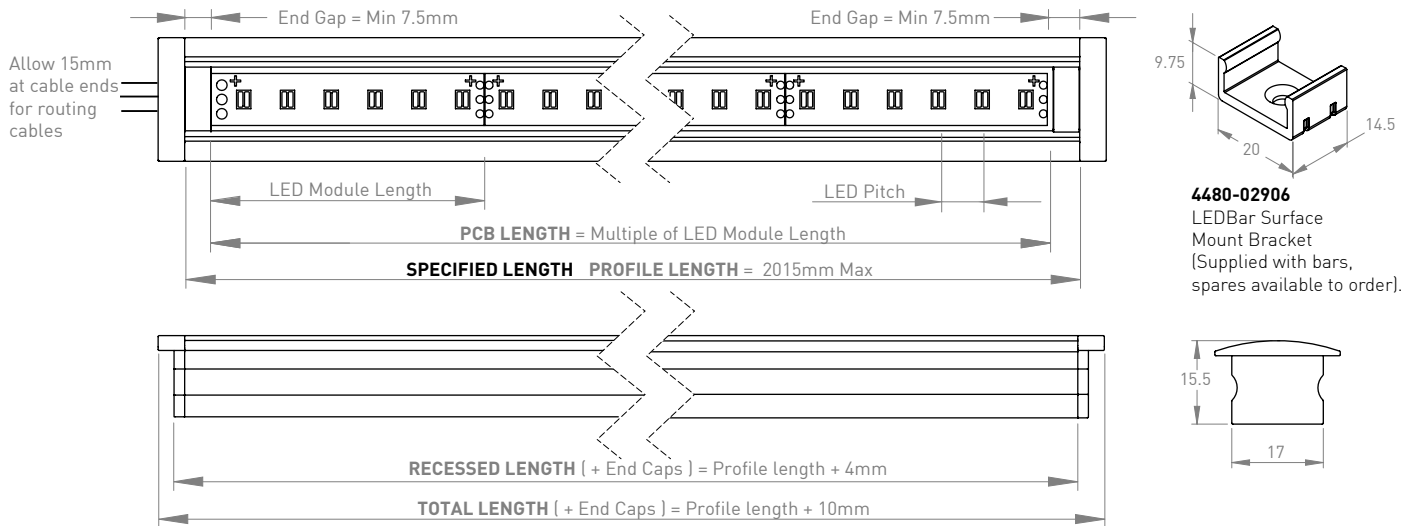
* Longer runs easily achievable using bus wiring - Please enquire for more information.

WIRING	Single Ended	Double Ended
CODE	S	D

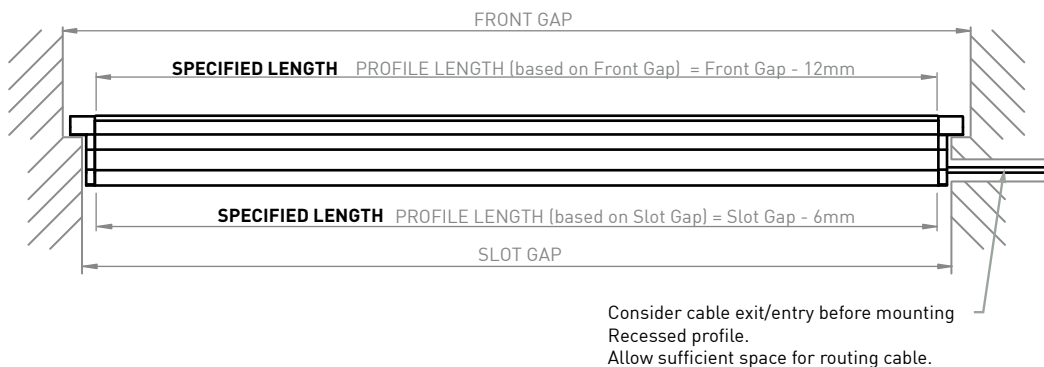
SURFACE PROFILE DIMENSIONS - CHANNEL CODE 2



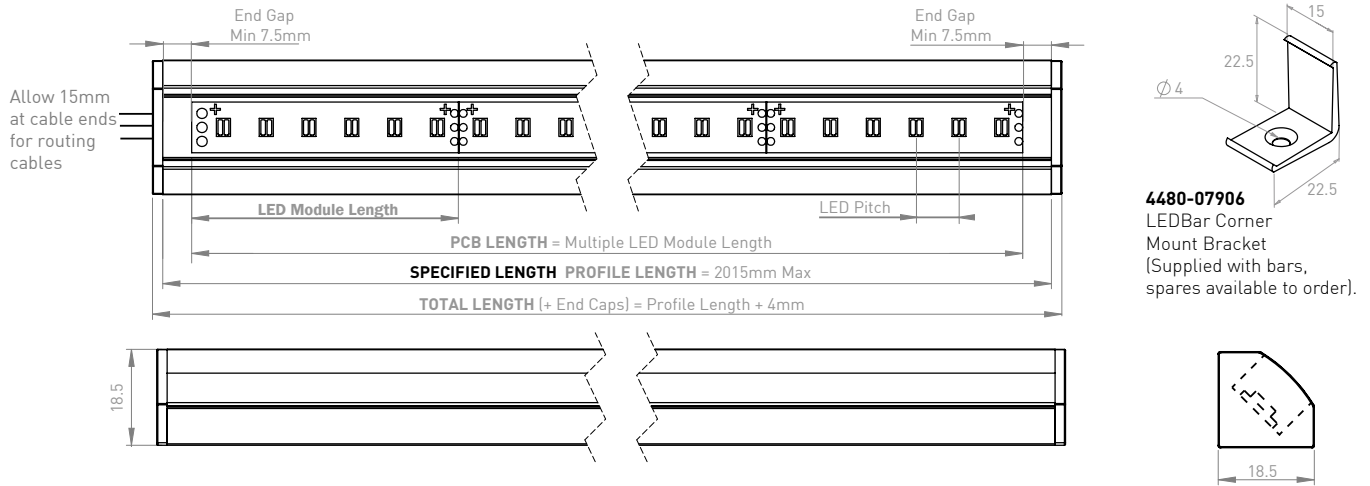
RECESSED PROFILE DIMENSIONS - CHANNEL CODE 3



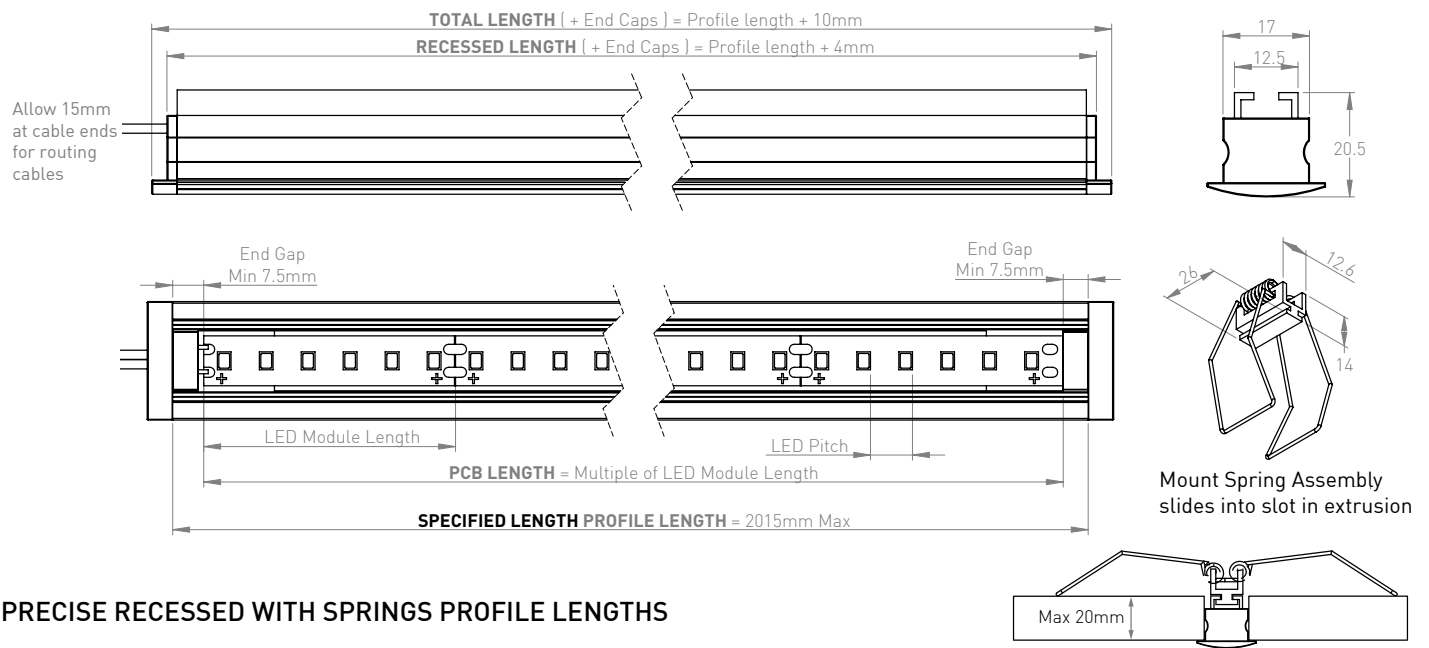
PRECISE RECESSED PROFILE LENGTHS:



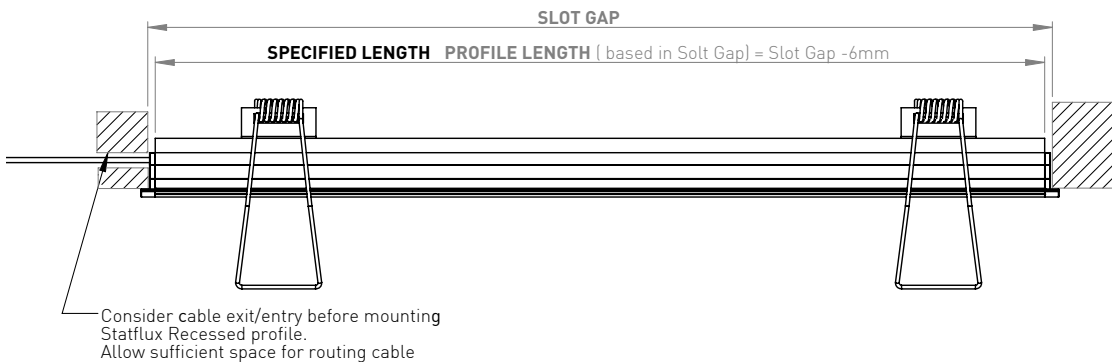
CORNER PROFILE DIMENSIONS - CHANNEL CODE 7



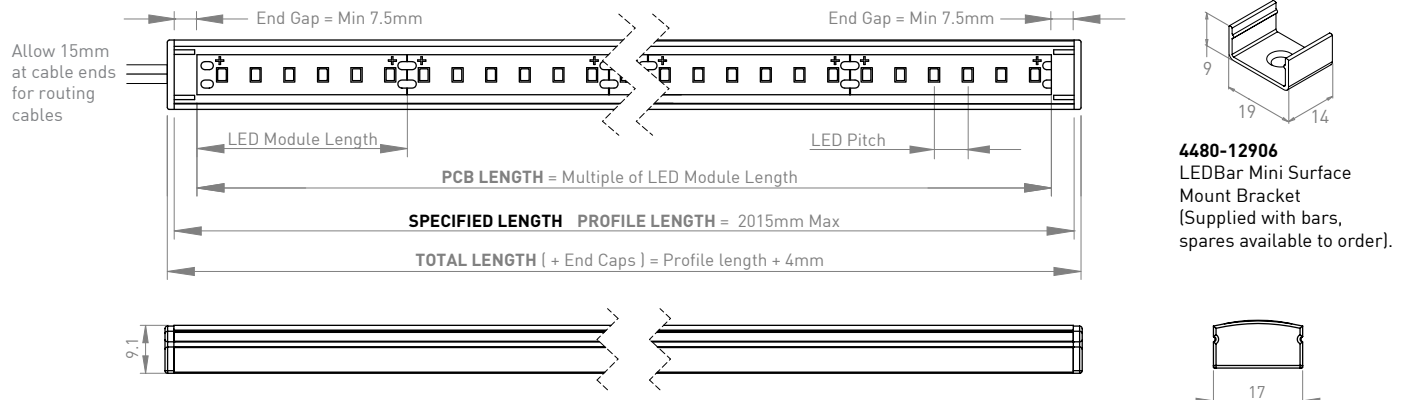
RECESSED WITH SPRINGS PROFILE DIMENSIONS - CHANNEL CODE 9



PRECISE RECESSED WITH SPRINGS PROFILE LENGTHS



MINI SURFACE PROFILE DIMENSIONS - CHANNEL CODE 6



SPECIFYING LENGTHS

Statflux LEDBar is specified by profile length, in standard or precise lengths.

Standard lengths are based on the LED PCB length. The profile must be at least 50mm. PCB length is a multiple of the module length of chosen LED pitch plus 15mm end gap.

Minimum lengths of profile for each pitch:

- 16.7mm = 115mm (1 x 100mm PCB + 15mm min end gap)
- 8.3mm = 65mm (1 x 50mm PCB + 15mm min end gap)
- 5.6mm = 82mm (2 x 33.5mm PCB + 15mm min end gap)
- 4.2mm = 65mm (2 x 25mm PCB + 15mm min end gap)
- 3.3mm = 55mm (2 x 20mm PCB + 15mm min end gap)

Precise lengths fit specific mounting locations. The profile is specified at its maximum length to fit the predetermined space. The LED PCB is centred within the profile and filled by a multiple of the selected LED module length.

When calculating the length of the LEDBar, the space required for end caps and cable entry needs to be considered.

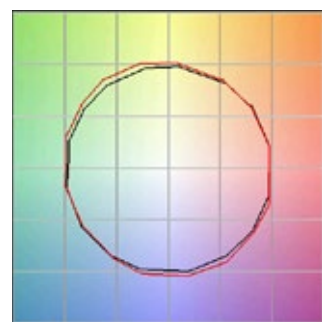
*Allow a minimum of 7.5mm for each cable return / entry.

See Pages 3, 4 and 5 for full dimensions of profiles

CORRECTED CCT WITH COVERS

CCT (K)	CCT + FROSTED COVER (K)	CCT + OPAL COVER (K)
1800	1780	1760
2400	2380	2310
2700	2660	2620
3000	2960	2910
3500	3450	3370
4000	3890	3750

TM-30 DATA - STATFLUX 3000K LEDs



Rf = 89
Rg = 99

CRI COLOUR METRICS - STATFLUX 3000K LEDs

Ra	R1	R2	R3	R4	R5	R6	R7	R8	R9	R10	R11	R12	R13	R14	R15
92	92	96	98	90	91	94	92	81	57	89	90	78	93	98	88

STATFLUX STANDARD LENGTH TABLE

PCB Module	Pitch = 3.3mm			Pitch = 4.2mm			Pitch = 5.6mm			Pitch = 8.3mm			Pitch = 16.7mm		
	ModuleLength = 20mm			ModuleLength = 25mm			ModuleLength = 33.3mm			ModuleLength = 50mm			ModuleLength = 100mm		
PCB Length (mm)	Profile Length (mm)	Profile Length Code	PCB Length (mm)	Profile Length (mm)	Profile Length Code	PCB Length (mm)	Profile Length (mm)	Profile Length Code	PCB Length (mm)	Profile Length (mm)	Profile Length Code	PCB Length (mm)	Profile Length (mm)	Profile Length Code	
1	20	N/A	N/A	25	N/A	N/A	33.3	N/A	N/A	50	65	0065	100	115	0115
2	40	55	0055	50	65	0065	66.7	81.7	0082	100	115	0115	200	215	0215
3	60	75	0075	75	90	0090	100	115	0115	150	165	0165	300	315	0315
4	80	95	0095	100	115	0115	133.3	148.3	0148	200	215	0215	400	415	0415
5	100	115	0115	125	140	0140	166.7	181.7	0182	250	265	0265	500	515	0515
6	120	135	0135	150	165	0165	200	215	0215	300	315	0315	600	615	0615
7	140	155	0155	175	190	0190	233.3	248.3	0248	350	365	0365	700	715	0715
8	160	175	0175	200	215	0215	266.7	281.7	0282	400	415	0415	800	815	0815
9	180	195	0195	225	240	0240	300	315	0315	450	465	0465	900	915	0915
10	200	215	0215	250	265	0265	333.3	348.3	0348	500	515	0515	1000	1015	1015
⋮	⋮	⋮	⋮	⋮	⋮	⋮	⋮	⋮	⋮	⋮	⋮	⋮	⋮	⋮	⋮
20	400	415	0415	500	515	0515	666.7	681.7	0682	1000	1015	1015	2000	2015	2015
⋮	⋮	⋮	⋮	⋮	⋮	⋮	⋮	⋮	⋮	⋮	⋮	⋮	⋮	⋮	⋮
40	800	815	0815	1000	1015	1015	1333.3	1348.3	1348	2000	2015	2015	-	-	-
⋮	⋮	⋮	⋮	⋮	⋮	⋮	⋮	⋮	⋮	⋮	⋮	⋮	⋮	⋮	⋮
60	1200	1215	1215	1500	1515	1515	2000	2015	2015	-	-	-	-	-	-
⋮	⋮	⋮	⋮	⋮	⋮	⋮	⋮	⋮	⋮	⋮	⋮	⋮	⋮	⋮	⋮
80	1600	1615	1615	2000	2015	2015	-	-	-	-	-	-	-	-	-
⋮	⋮	⋮	⋮	⋮	⋮	⋮	⋮	⋮	⋮	⋮	⋮	⋮	⋮	⋮	⋮
100	2000	2015	2015	-	-	-	-	-	-	-	-	-	-	-	-

Table Shows all standard lengths for up to 10 modules and for major steps thereafter up to the longest length available for each LED pitch. Intermediate incremental lengths all available, though not listed here, and follow the same length and code steps.