

4480-5x7xx LENSED TRUEFLUX LEDBAR

PRODUCT SUMMARY

Trueflux offers the highest colour rendering in the LEDBar range at 95+CRI, ideal for interior high-end display, gallery and retail applications.

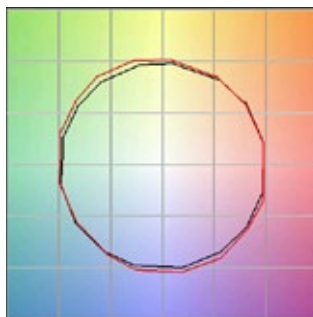


TECHNICAL DETAILS

- Lensed LEDBar in 30° and 60° Lenses to control lighting effect.
- Colour Rendering Index (CRI): 95+
- Linear interior LEDBar with Ultra High Colour Rendering LED: up to 2400lm/m
- 5 Year guarantee
- LED Lifetime: 50,000Hrs (70% lumen maintenance)
- LEDs/m Available [Pitch [mm]]: 120 (8.3), 60 (16.7) & 126 (7.9)
- LED White Colour: 2700K, 3000K, 4000K
- Bin/Step: 3 Step MacAdam ellipse
- Luminous Efficacy: Up to 109 lm/W
- Supply Voltage: 24V
- Driver: Remote constant voltage LED drivers available to suit lamp.
- Dimming options: DALI, DMX, Analogue (0-10V) or Phase (Leading or Trailing)
- On board IC regulates optimum drive current to LEDs & allow for volt drop in DC voltage to strip (min 21Vdc max 36Vdc)
- If temperature rises above maximum, sensor limits LED drive current until temperature reduces
- Rigid Aluminium heatsink in custom lengths - 65mm - 2000mm. Silver Anodised finish.
- Supplied cable length: 500mm

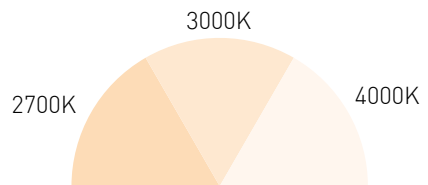


TM-30 DATA - TRUEFLUX 3000K LEDs



Rf = 93
Rg = 105

COLOUR TEMPERATURES AVAILABLE



CRI COLOUR METRICS FOR TRUEFLUX 3000K LEDs

Ra	R1	R2	R3	R4	R5	R6	R7	R8	R9	R10	R11	R12	R13	R14	R15
97	98	99	96	95	98	97	96	97	95	98	93	94	98	97	99

4480-5x7xx LENSED TRUEFLUX LEDBAR

EXAMPLE SPECIFICATION

4480-54772-930-0515-D

LENSED TRUEFLUX LEDBar Surface IP40, 30° Frosted Cover Lens, 8.3mm pitch LEDs, CRI 95+ Warm White 3000K at 515mm Profile Length, Double Ended Wiring, Silver Anodised finish.

Profile Length (+ End Gaps) = 515mm, PCB Length = 500mm (10 x 500mm LED Modules),
Total Length (+ End Caps) = 517mm Strip wattage = 9.6W (10 x 0.96 Module Power), Strip output = Up to 800lm.

PRODUCT CODE EXAMPLE : 4480 - 5 4 7 7 2 - 930 - 0515 - D

CHANNEL	Lensed
CODE	4

COVER (PMMA)	30° Frosted	60° Frosted
CODE	7	9

LED PITCH (mm)	LED Module length (mm)	LEDs / Modules	LEDs / m	Strip Power (W/m)	Module Power (W)	CODE
16.7	100	6	60	14.4	1.44	1
8.3	50	6	120	19.2	0.96	2
7.9	55.5	7	126	22	1.22	3

COLOUR MIX	CCT (K)	CRI	Lumen Output / Pitch (lm/m)			CODE
			16.7	8.3	7.9	
Incandescent White	2700	95+	950	1550	2200	927
Warm White	3000		1000	1600	2300	930
Cool White	4000		1050	1700	2400	940

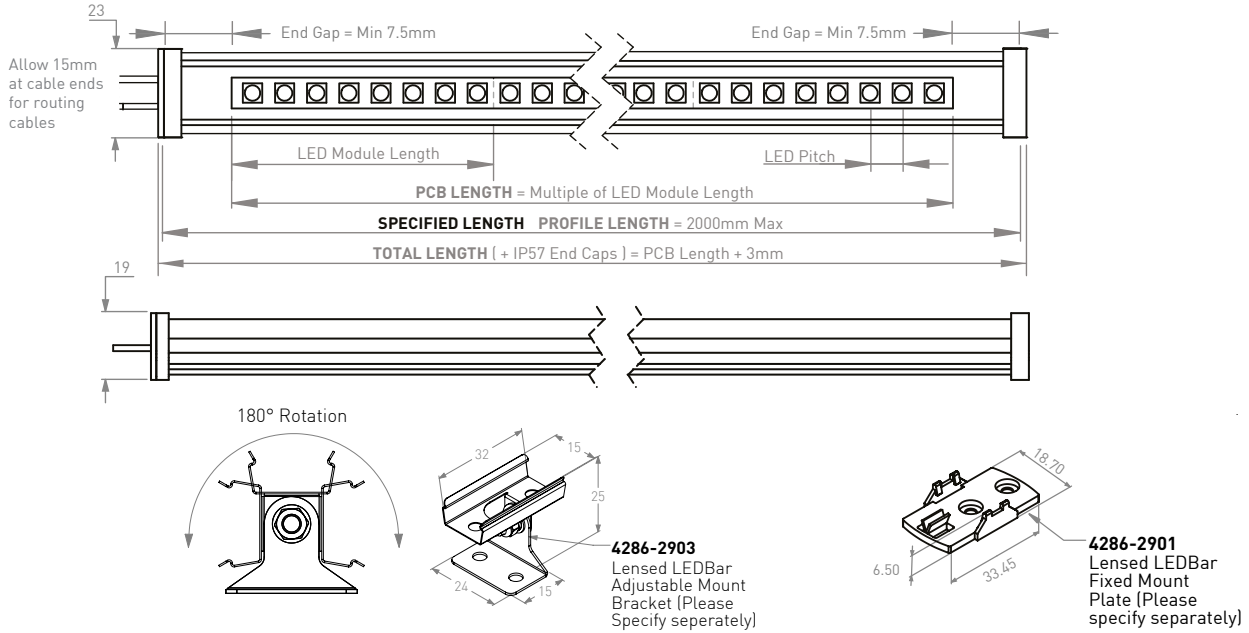
PROFILE LENGTH	
Minimum (mm)	65
Maximum (mm)	2000
CODE (Example with 8.3mm LED Pitch, 5 Modules + End Gaps)	0515
Maximum length in single wired run (mm)*	10,000

* Longer runs easily achievable using bus wiring - Please enquire for more information.

WIRING	Single Ended	Double Ended
CODE	S	D

4480-5x7xx LENSED TRUEFLUX LEDBAR

LENSED PROFILE DIMENSIONS - CHANNEL CODE 4



CORRECTED CCT WITH COVERS

CCT (K)	CCT + FROSTED COVER (K)
2700	2660
3000	2960
4000	3890

TRUEFLUX STANDARD LENGTH TABLE

PCB Module	Pitch = 8.3mm			Pitch = 7.9mm			Pitch = 16.7mm		
	ModuleLength = 50mm			ModuleLength = 55.5mm			ModuleLength = 100mm		
PCB Length (mm)	Profile Length (mm)	Profile Length Code	PCB Length (mm)	Profile Length (mm)	Profile Length Code	PCB Length (mm)	Profile Length (mm)	Profile Length Code	
1	50	65	0065	55.5	70.5	0071	100	115	0115
2	100	115	0115	111	126	0126	200	215	0215
3	150	165	0165	166.5	181.5	0182	300	315	0315
4	200	215	0215	222	237	0237	400	415	0415
5	250	265	0265	277.5	292.5	0293	500	515	0515
6	300	315	0315	333	348	0348	600	615	0615
7	350	365	0365	388.5	403.5	0404	700	715	0715
8	400	415	0415	444	459	0459	800	815	0815
9	450	465	0465	499.5	514.5	0515	900	915	0915
10	500	515	0515	555	570	0570	1000	1015	1015
⋮	⋮	⋮	⋮	⋮	⋮	⋮	⋮	⋮	⋮
19	950	965	0965	1054.5	1069.5	1070	1900	1915	1915
⋮	⋮	⋮	⋮	⋮	⋮	⋮	⋮	⋮	⋮
35	1750	1765	1765	1942.5	1957.5	1958	-	-	-
⋮	⋮	⋮	⋮	⋮	⋮	⋮	⋮	⋮	⋮
39	1950	1965	1965	-	-	-	-	-	-

Table Shows all standard lengths for up to 10 modules and for major steps thereafter up to the longest length available for each LED pitch. Intermediate incremental lengths all available, though not listed here, and follow the same length and code steps.

SPECIFYING LENGTHS

Lensed Trueflux LEDBar is specified by profile length, in standard or precise lengths.

Standard lengths are based on the LED PCB length. The profile must be at least 65mm. PCB length is a multiple of the module length of chosen LED pitch plus 15mm end gap.

Minimum lengths of profile for each pitch:

- 16.7mm = 115mm [1 x 100mm PCB + 15mm min end gap]
- 7.9mm = 71mm [1 x 55.5mm PCB + 15mm min end gap]
- 8.3mm = 65mm [1 x 50mm PCB + 15mm min end gap]

Precise lengths fit specific mounting locations. The profile is specified at its maximum length to fit the predetermined space. The LED PCB is centred within the profile and filled by a multiple of the selected LED module length.

When calculating the length of the LEDBar, The space required for end caps and cable entry needs to be considered.

*Allow a minimum of 7.5mm for each cable return / entry.

See Page 3 for full dimensions of profile