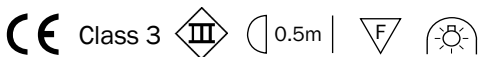


36174-1x PATROLLED REMOTE

TECHNICAL DETAILS

- SR111 LED Remote Dimmable Spotlight on Surface Mount Plate.
- Lamp: SR111 LED Dimmable Reflector Lamp
- Supply Voltage: 12Vac/dc
- Weight: 0.85kg
- Glass Size: Ø100mm
- Housing: Steel and aluminium with a polyester powder coated finish.
- Driver: Remote constant voltage LED drivers available to suit lamp. See next page for full list.



EXAMPLE SPECIFICATION

PatrolLED Remote, Black Finish Supplied with 10x36 Linear Spreader Soraa Snap Accessory and Soraa 12V 18.5W 9° 2700K SR111 LED Reflector Lamp

36174-12 + 206-134 + 109-250

[PatrolLED Fitting Code (with finish) + Accessory Codes + Lamp Code]

PRODUCT CODE EXAMPLE: 36170-1 2

FINISH	White (RAL 9010)	Black (RAL 9011)	Special (RAL / BS)
Code	1	2	3

ACCESSORIES

Long Snoot for Accessories	247-0401-*
C Spring	247-0406
Replacement Standard Snoot	247-0407-*
Colour Glass ◇	247-0410-***
[See sheet CG001]	[See sheet CG001]
Spread Lens Ribbed ◇	247-0411
Colour Dichroic Glass	247-0415-***
[See sheet CDG001]	[See sheet CDG001]
Light Frost ◇	247-0416
Medium Frost ◇	247-0417
Heavy Frost ◇	247-0418
5mm Louvre ◇	247-0421-2
Eggcrate Louvre	247-0423-2
Half Shield Cowl	247-0427-*
Tree Strap Remote	247-0140-2
Ground Spike Remote 200mm	247-0141-*
Ground Spike Remote 500mm	247-0142-*
IP66 Connection Box	247-0080

◇ Indicates C Spring is required
* Finish / Glass colour

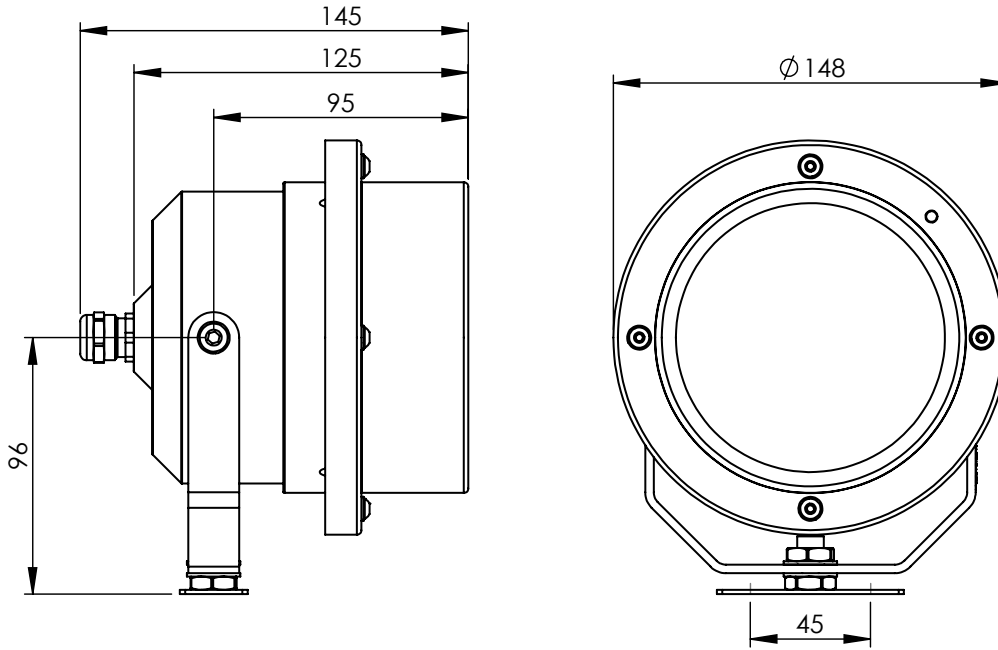
SORAA SNAP ACCESSORIES

25° Beam Spreader Snap	206-131
36° Beam Spreader Snap	206-132
60° Beam Spreader Snap	206-133
10° x 36° Linear Spreader Snap	206-134
CCT Shifter Snap - 1/4 CTO	206-135
CCT Shifter Snap - 1/2 CTO	206-136
CCT Shifter Snap - 3/4 CTO	206-137
Honeycomb Louvre Snap	206-138
36° x 36° Flat Top Spreader Snap	206-160
10° x 60° Linear Spreader Snap	206-161
Aimable Pair Snap	206-162
Colour Enhancer Snap	206-163
Clear Disk Snap	206-164

ORIGINAL CCT	SNAP SYSTEM - CCT SHIFT VALUES		
	1/4 CTO	1/2 CTO	3/4 CTO
2700K	2450K	2200K	2000K
3000K	2700K	2400K	2200K
4000K	3500K	3000K	2700K
5000K	4250K	3550K	3125K

36174-1x PATROLLED REMOTE

PRODUCT DIMENSIONS



SORAA LED LAMP 12V G53 18.5W



SORAA SR111 SNAP SYSTEM WITH 9° LAMP



36170-1x PATROLLED REMOTE

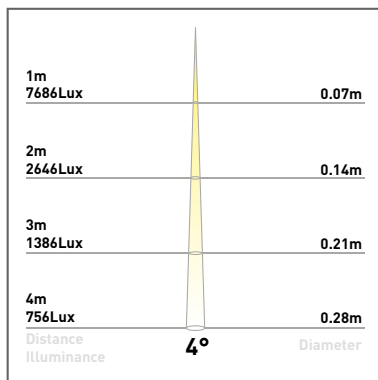
Lamps available for Soraa AR111 G53 12V Lamp

CRI	Wattage	Beam	Colour Temp / K	Luminous intensity / cd	Lumens	Lamp Code
95+	6	4° Snap Compatible	2700	11,540	275	109-4560
			3000	12,600	300	109-4570
	12.5	8° Snap Compatible	2700	15,520	575	109-4500
			3000	16,740	620	109-4510
			4000	17,400	645	109-4520
			2700	3,100	575	109-4501
		25°	3000	3,340	620	109-4511
			4000	3,480	645	109-4521
			2700	1,420	575	109-4502
			3000	1,540	620	109-4512
	36°	4000	1,600	645	109-4522	
		9° Snap Compatible	2700	22,400	930	109-250
			3000	24,100	1000	109-255
			4000	25,060	1040	109-260
	18.5	25°	2700	5,020	930	109-251
			3000	5,400	1,000	109-256
			4000	5,600	1,040	109-261
		36°	2700	2,320	930	109-252
			3000	2,500	1,000	109-257
			4000	2,600	1,040	109-262

SORAA LAMP TECHNICAL DETAILS

LAMP: SR111 LED Dimmable Reflector Lamp
LAMP HOLDER: G53
LAMP VOLTAGE: 12V
LAMP WATTAGE: 18.5W Max
LAMP CRI: 95+ CRI
LIFETIME: 35,000Hrs (70% lumen maintenance)

SORAA SR111 12V 6W LAMP DATA



SORAA Vivid 3000K LED Lamp data 12V G53 18.5W

