

TOKISTAR Micro Series



TOKISTAR LIGHTING



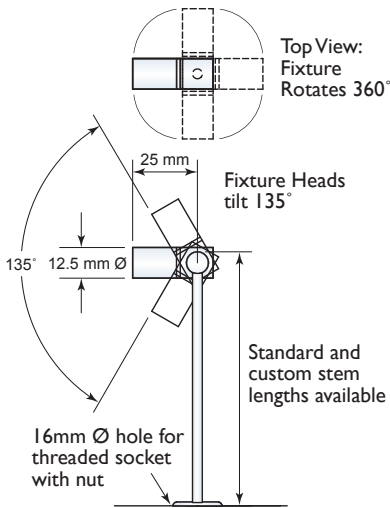
Micro Series™

Tokistar's Micro Series features three uniquely designed systems to shed light on items and define Micro in a whole new way. All three systems are available in 2700, 3000, 4000 and 5000K. The optics package includes 16, 24 and 30 degree interchangeable lenses.

Micro Series fixtures are ETL Listed and CE marked. All systems operate from universal-input Class 2 power supplies and are dimmed with a PWM signal to ensure fluid and flicker-free operation at all light levels.

Micro Spotlight™

The quality of light and superior craftsmanship of Micro Spotlights make them ideal for highlighting fine jewelry and valuable artifacts in vitrines. Available in a silver or black finish, these slender fixtures discreetly blend into any setting.

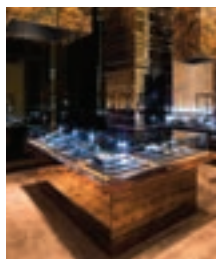


Micro Spotlight stylishly blends into this display of fine jewelry.



Contents

- Introduction | 2-3
- Micro Spotlight | 4-5
- Micro Tracklight | 6-7
- Micro Downlight | 8
- Photometrics | 9
- Power Supplies | 10
- Dimming | 11



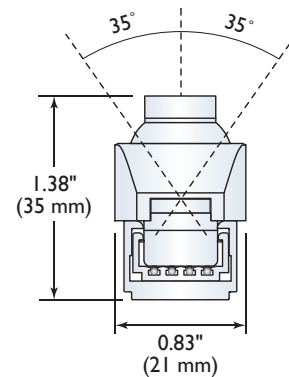
Cover:
Micro Spotlight brilliantly accents items in showcases.
Project: SUNLUXE Collection Macau
Photo: IMAGE28

Micro Tracklight™

Micro Tracklight is a unique miniaturized tracklight system. LED modules with pivoting eyeballs can be positioned at any location on the track. Modules are available in a black or silver finish and include a snout to reduce glare.



Micro Tracklight is ideal for use in museums where objects are occasionally repositioned.

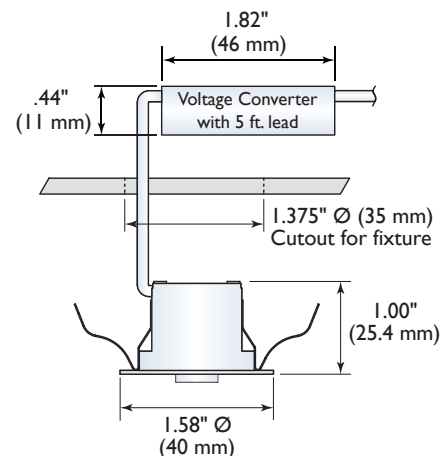


Micro Downlight™

Micro Downlights deliver powerful light from a very compact profile. They measure 1" tall and are installed in a 1-3/8" Ø hole. Downlights are available in a black, white or silver finish and include a snout to reduce glare.



Lens options can spot light up close or flood light from a greater distance.





Micro Spotlight™

The quality of light and superior craftsmanship of Micro Spotlight Series make it ideal for highlighting fine jewelry and valuable artifacts in showcases and displays. Available in a silver or black finish, these slender fixtures discreetly blend into any setting and place the focus on the object being illuminated.

Focusing light precisely where desired is possible with an optics selection of 16, 24 and 30 degree interchangeable lenses. Standard fixture stem heights are 30, 150, 250 and 350 mm.



Color selections include 2700, 3000, 4000 and 5000K 1.2 watt LEDs. Fixtures are constructed of sturdy stainless steel and aluminum spinnings. The system is ETL Listed/CE Certified and operates from universal-input 5VDC Power Supplies.

The unique RCA connector allows stems to rotate 360°.



Specify by Catalog Number

MSP - 2700 - 30D - S - 150

LED Color		Lens Style		Fixture Color		Fixture Length	
Code	Color	Code	Style	Code	Color	Code	Length (mm)
2700	2700K	16	16°	S	Silver	30	30 (mm)
3000	3000K	24	24°	B	Black	150	150 (mm)
4000	4000K	30	30°			250	250 (mm)
5000	5000K					350	350 (mm)

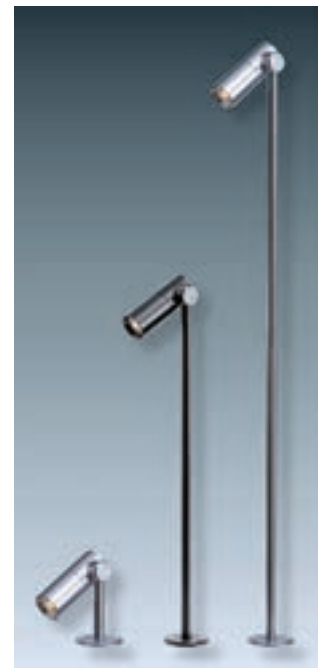
Socket Assembly

Each socket assembly includes a 2 meter lead with connector. Finishes include black or silver. Caps are included in the event a fixture is removed from the assembly.

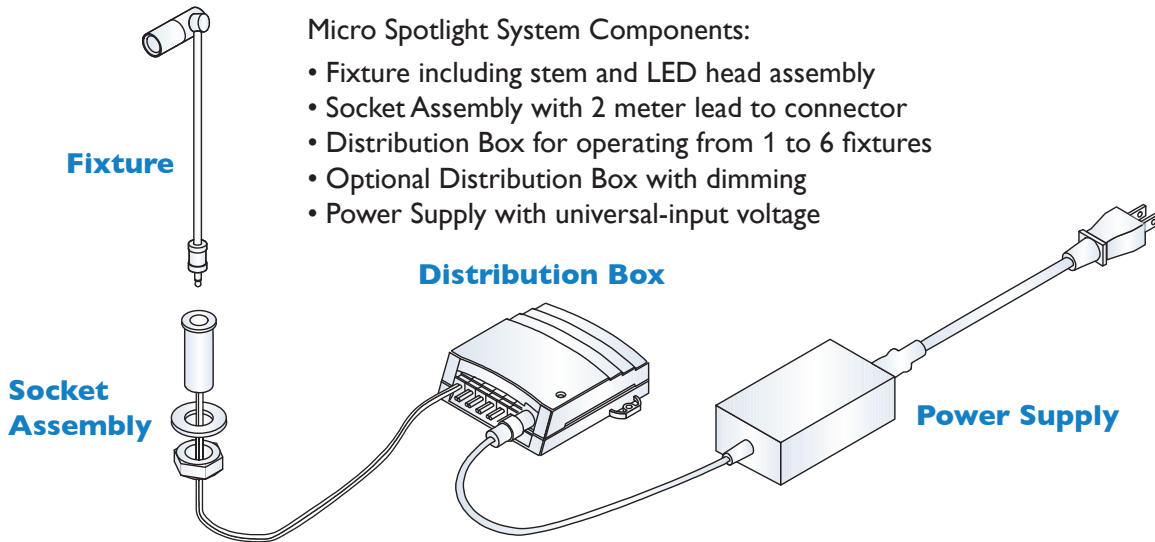
Catalog #: MS-SKT-S



Catalog #: MS-SKT-B



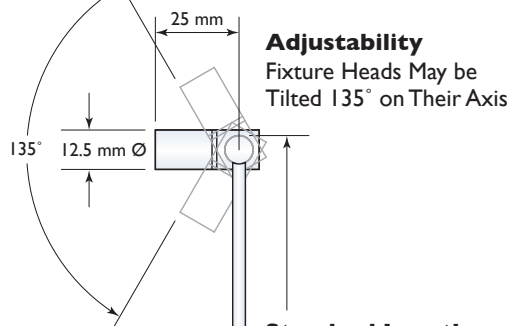
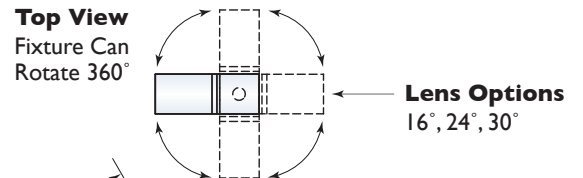
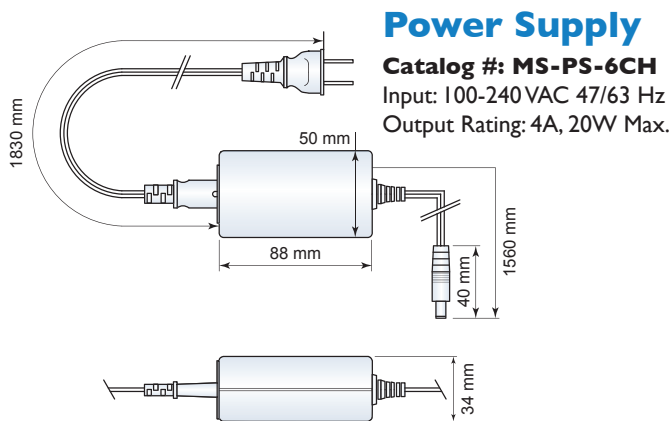
System Diagram



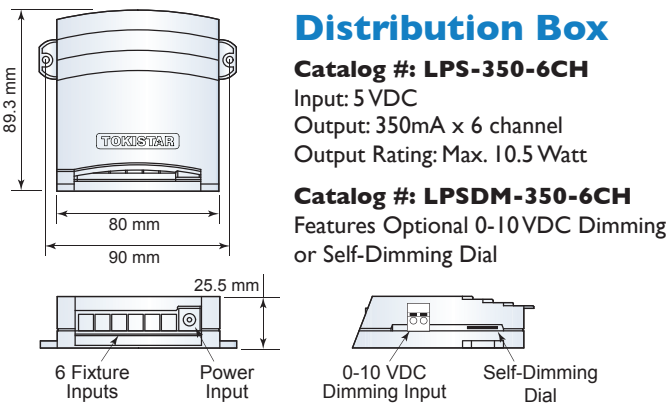
Micro Spotlight System Components:

- Fixture including stem and LED head assembly
- Socket Assembly with 2 meter lead to connector
- Distribution Box for operating from 1 to 6 fixtures
- Optional Distribution Box with dimming
- Power Supply with universal-input voltage

Fixture/Socket Details

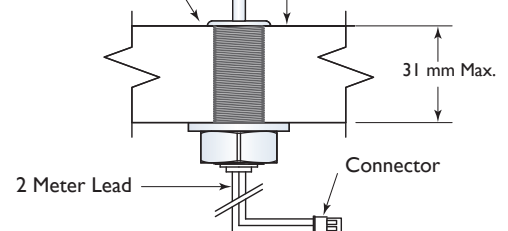


Standard Lengths
 30, 150, 250 and 350 mm
 Custom Lengths Available Upon Request



Socket Assembly

Drill 16 mm Ø Hole Through Mounting Surface and Secure Threaded Socket with Nut





Micro Tracklight™

Tokistar's LED Micro Tracklight sheds new light and defines Micro in a whole new way. The system is easily concealed behind ledges and the distinctive features look great even in full view.

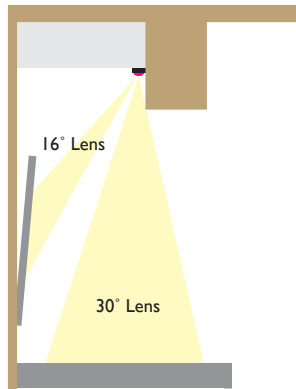
Micro Tracklight dims fluidly to all levels from our dimming systems compatible for use with 0-10VDC or DMX industry standard dimmers. Several sizes of 24VDC LED Drivers are available to accommodate projects of any size.



Specify by Catalog Number

MTK - 3000 - 24D - B

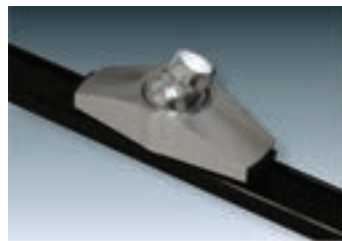
LED Color		Lens Style		Module Color	
Code	Color	Code	Style	Code	Color
2700	2700K	16	16°	S	Silver
3000	3000K	24	24°	B	Black
4000	4000K	30	30°		
5000	5000K				



LED Modules with different Lens Styles can be used to light objects at various distances.

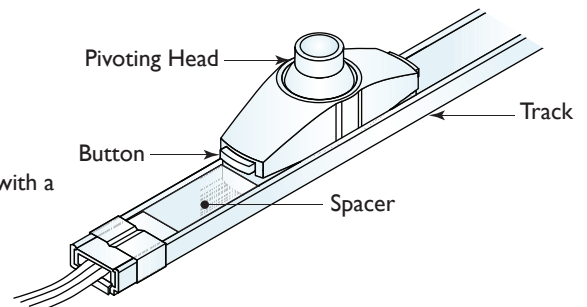
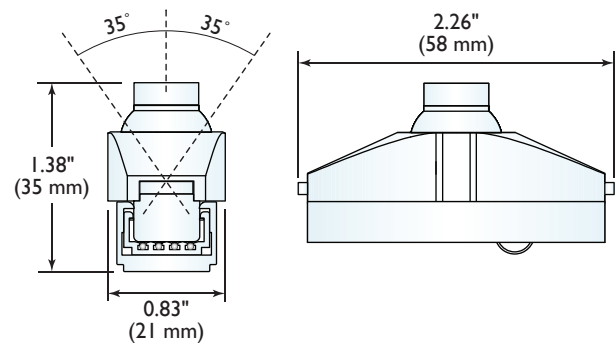


LED Module with black finish.



LED Module with silver finish.

Fixture heads are available in black or silver finish and fitted with powerful 1.6 watt LEDs. Color temperatures are 2700K, 3000K, 4000K and 5000K. The optics package includes 16, 24 and 30 degree lenses.

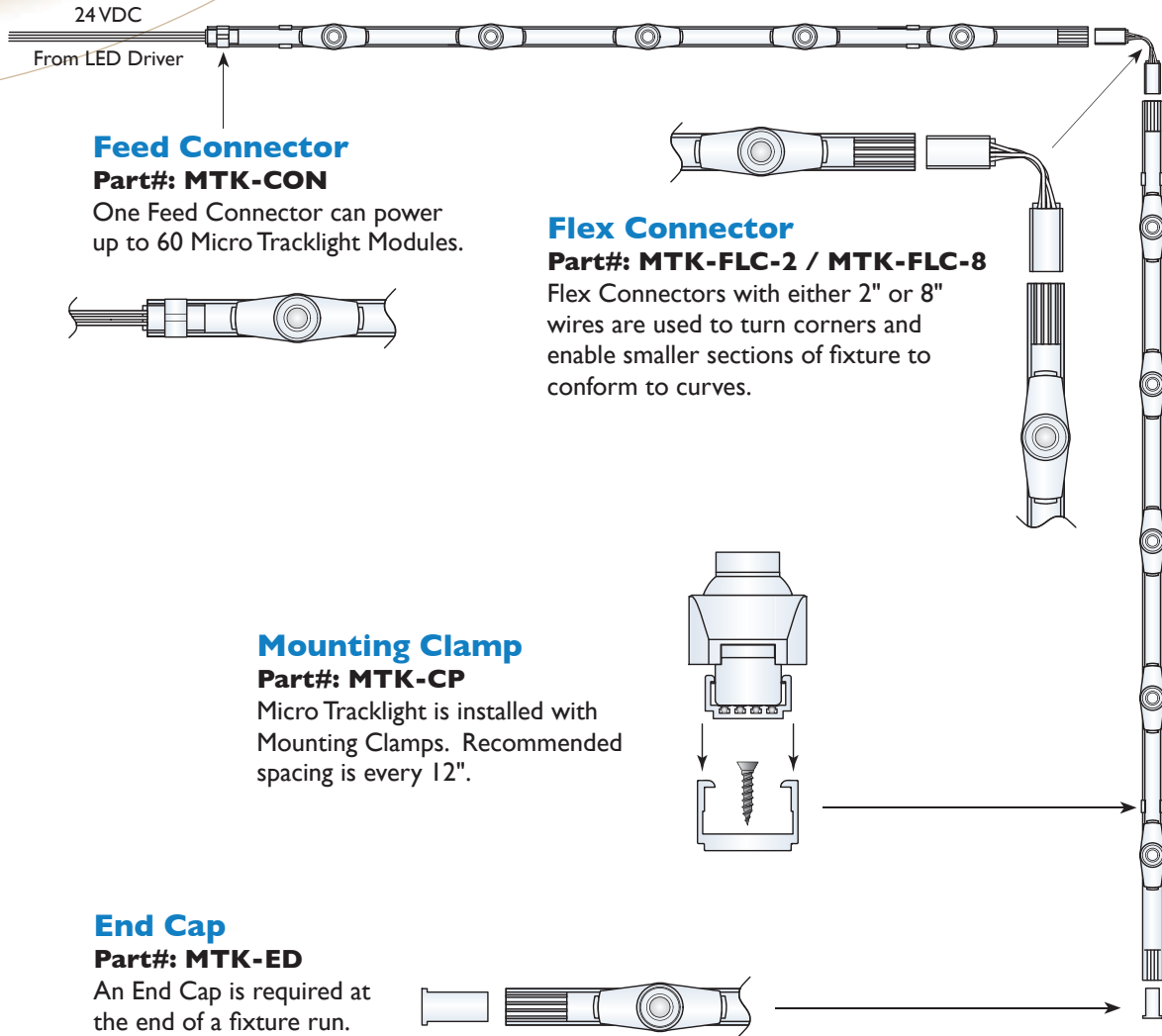


Micro Tracklight is fitted with a snoot to reduce glare.

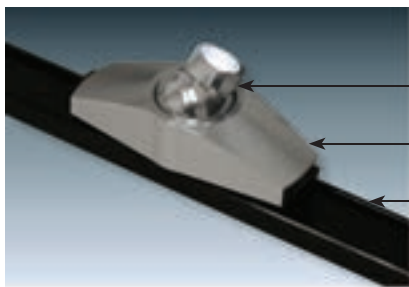


System Overview

Micro Tracklight fixtures come with 1.6 watt LED Modules inserted into a track. The Modules measure 2.26" wide, and may be positioned at any location on the track. An individual track may be up to 96" long. An individual fixture may accommodate up to 60 LED modules on a 4 amp circuit.



Specifications



Light Sources are 1.6 watt LED Modules

LED Modules are aluminum

Track is rigid polycarbonate up to 96" (2.4 M) long

Spacer between modules is PVC





Micro Downlight™

Tokistar's Micro Downlights are tiny fixtures but deliver powerful light to accent objects from all angles. Each downlight consumes 1.6 watts and operates from 24VDC Class 2 power supplies. The LED pivots in the downlight housing and is available in color temperatures of 2700K, 3000K, 4000K and 5000K. The optics package includes 16°, 24° and 30° interchangeable lenses.

Micro Downlights dim perfectly from our dimmer packs compatible with DMX or 0-10VDC dimming equipment.

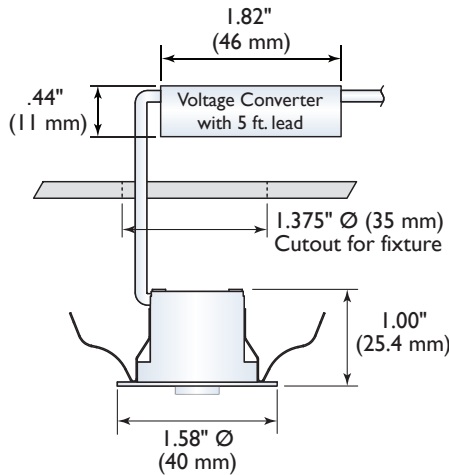


Micro Spotlights focus light on the countertop and bottles in this cocktail lounge.

Specify by Catalog Number

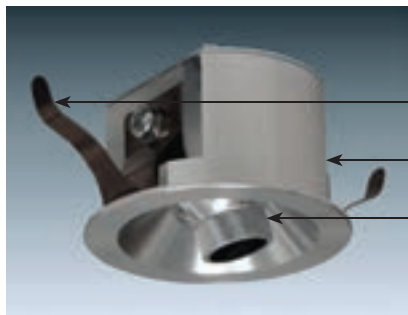
MDL - 3000 - 24D - B

LED Color		Lens Style		Module Color	
Code	Color	Code	Style	Code	Color
2700	2700K	16	16°	S	Silver
3000	3000K	24	24°	B	Black
4000	4000K	30	30°	W	White
5000	5000K				



Pivoting eyeballs in the housing can be rotated to a 35° angle in all directions.

Specifications



Retainer Clip is spring steel

Housing is aluminum

Light Sources are 1.6 watt LEDs

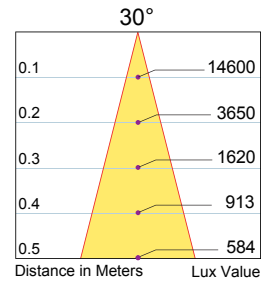
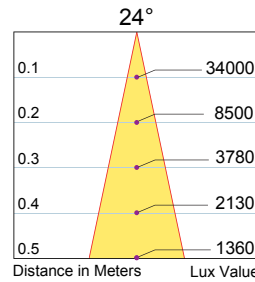
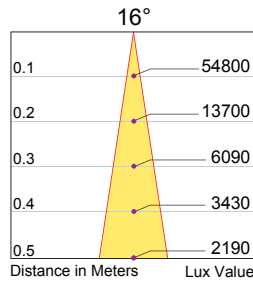


Photometrics

Micro Spotlight

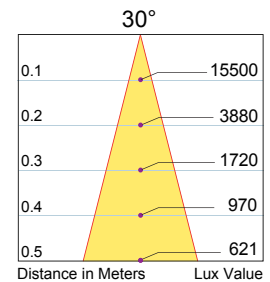
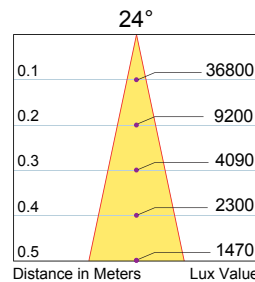
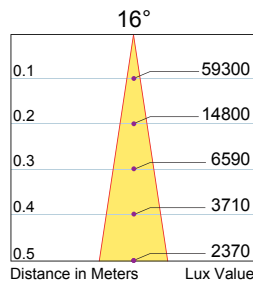
2700K & 3000K LED

Power: 1.2 watts
 Voltage: 5VDC
 CRI: 85
 Output: 97 Lm / 16° Lens
 97 Lm / 24° Lens
 80 Lm / 30° Lens



4000K & 5000K LED

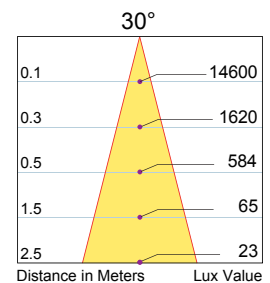
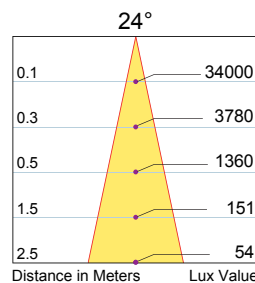
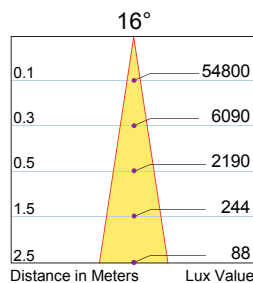
Power: 1.2 watts
 Voltage: 5VDC
 CRI: 85
 Output: 105 Lm / 16° Lens
 105 Lm / 24° Lens
 85 Lm / 30° Lens



Micro Downlight and Tracklight

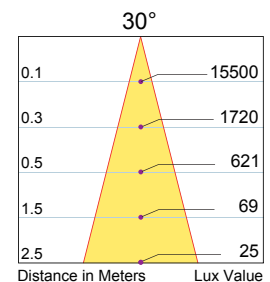
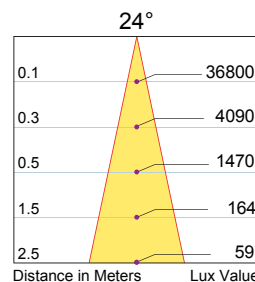
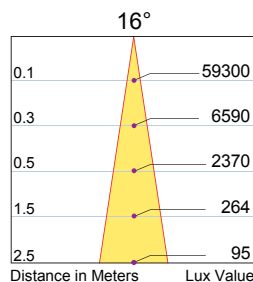
2700K & 3000K LED

Power: 1.6 watts
 Voltage: 24VDC
 CRI: 85
 Output: 97 Lm / 16° Lens
 97 Lm / 24° Lens
 80 Lm / 30° Lens



4000K & 5000K LED

Power: 1.6 watts
 Voltage: 24VDC
 CRI: 85
 Output: 105 Lm / 16° Lens
 105 Lm / 24° Lens
 85 Lm / 30° Lens





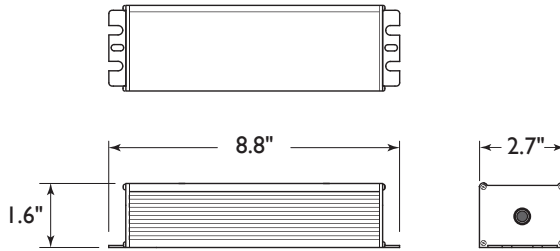
Micro Tracklight and Downlight

24 VDC LED Drivers

Micro Tracklight and Micro Downlight are ETL Listed when operated from our selection of 24VDC LED Drivers. These Class 2 power supplies range from 16 to 192 watts. The input is universal ranging from 100 to 277VAC 50/60 Hz.

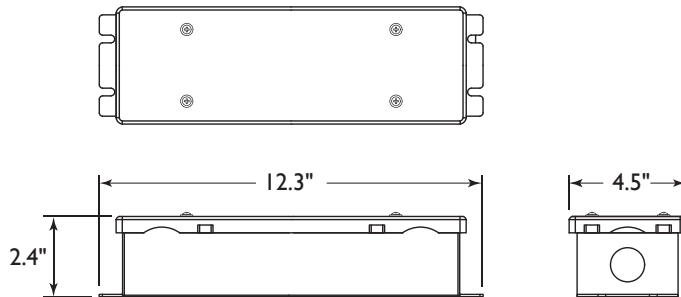
LDR24-96

Tokistar's LDR24-96 has a single 96 Watt output.



LDR24-192

Tokistar's LDR24-192 has two independent 96 watt outputs. If the system is dimmed, each of the outputs requires an independent dimmer pack. This unit has wiring compartments for splicing on input and output leads, and can be connected directly to conduit.



LDR24-96 Specifications

Input Range: 100~277 VAC
Frequency Range: 50/60 Hz
Output: 24VDC (+/- 3%)
Max. Output Current: 4.0A
Max. Output Power: 96W
Protection: Overload, Over voltage, Short Circuit, Over Temperature
Working Temperature: -30°C~+50°C

Mechanical Specifications

Dimensions: 2.7" x 8.8" x 1.6"
Weight: 998g / 2.20 lbs
Enclosure Rating: Suitable for use in Dry, Damp and Wet Locations/IP67 Rated
Mounting: Flange Mount

Safety Standards

UL 879, UL 8750, UL 1310 Class 2, TUV EN60950-1, EN61347-1, EN61347-2-3 ind. CAN/CSA C22.2 No. 223-M91, IP67 Rated

LED Module Capacity

1.6 Watt LED Modules: 60 each

LDR24-192 Specifications

Input Range: 100~277 VAC
Frequency Range: 50/60 Hz
Output: 24VDC (Adjustable +5% / -30%)
Max. Output Current: 8.0A (2 @ 4.0A)
Max. Output Power: 192W (2 @ 96W)
Protection: Overload, Overcurrent, Short Circuit
Operating Temperature: -25°C to +60°C

Mechanical Specifications

Dimensions: 4.5" x 12.3" x 2.4"
Weight: 2.55Kg / 6 lbs
Enclosure Rating: Nema 3/IP65
Mounting: Flange Mount
Connection: Knockouts for 1/2" Conduit

Safety Standards

UL 1012/1585, UL8750, UL Class 2 Wet locations, UL 48,cUL, CE, UL #: E342485

LED Module Capacity

1.6 Watt LED Modules: 120 each (60 per output)

LDR24-16

Specifications

Max. Output Current: 0.67A
Max. Output Power: 16W
Protection: Overload, Over Voltage, Short Circuit, Over Temperature
Working Temperature: -30°C~+50°C

Mechanical Specifications

Dimensions: W 1.6" x L 5.9" x H 1.3"
Weight: 210g / .47 lbs
Enclosure Rating: Suitable for use in Dry and Damp Locations/IP30 Rated
Mounting: Flange Mount

LED Module Capacity

1.6 Watt LED Modules: 10 each

LDR24-25

Specifications

Max. Output Current: 1.05A
Max. Output Power: 25W
Protection: Overload, Over Voltage, Short Circuit, Over Temperature
Working Temperature: -30°C~+50°C

Mechanical Specifications

Dimensions: W 1.6" x L 5.9" x H 1.3"
Weight: 360g / .80 lbs
Enclosure Rating: Suitable for use in Dry, Damp and Wet Locations/IP67 Rated
Mounting: Flange Mount

LED Module Capacity

1.6 Watt LED Modules: 15 each

LDR24-40

Specifications

Max. Output Current: 1.67A
Max. Output Power: 40W
Protection: Overload, Over Voltage, Short Circuit, Over Temperature
Working Temperature: -30°C~+50°C

Mechanical Specifications

Dimensions: W 1.7" x L 6.4" x H 1.3"
Weight: 440g / .90 lbs
Enclosure Rating: Suitable for use in Dry, Damp and Wet Locations/IP67 Rated
Mounting: Flange Mount

LED Module Capacity

1.6 Watt LED Modules: 25 each

Common Specifications

Input Range: 100~240 VAC
Input Range: 100~277 VAC (North America Only)
Frequency Range: 50/60 Hz
Output: 24 VDC (+/- 4%)

LDR24-16 Safety Standards

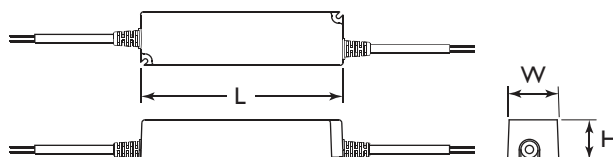
UL8750, CSA C22.2 No. 250.0-08, EN61347-1, EN61347-2-13 independent, EN62384, J61347-1, J61347-2-13 approved,

LDR24-25 Safety Standards

UL8750, CSA C22.2 No. 250.0-08, EN61347-1, EN61347-2-13 independent, EN62384, J61347-1, J61347-2-13 approved, IP67 approved; Design refer to UL60950-1, TUV EN60950-1

LDR24-40 Safety Standards

UL8750, CSA C22.2 No. 250.0-08, EN61347-1, EN61347-2-13 independent, EN62384, IP67, J61347-1, J61347-2-13 approved; design refer to UL60950-1, TUV EN60950-1



LC-ICH-MULTI Dimming System/24 VDC

Tokistar's LC-ICH-MULTI Dimmer Pack is compatible with industry-standard dimmers working on DMX or 0-10VDC protocol. In the manual mode, a preset light level can be set without the use of an external dimmer.



Part #: LC-ICH-MULTI

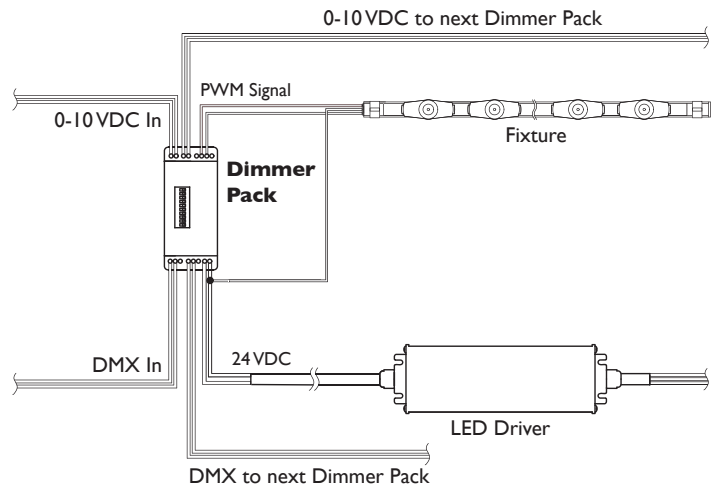
Technical Specifications:
 Max. Load: 96 watts @ 24VDC
 Environmental Rating: Dry Location/IP20
 Dimensions: 3/4" x 1-3/4" x 3-1/2"
 Weight: 50g / 0.11 lbs
 Listing: ETL Listed/CE Certified
 Operating Temperature: 0~+50°C

DMX Mode

In this mode, dimmer packs are addressable and may be used with any controller working on DMX protocol. Up to 36 dimmer packs may be connected in series. For applications exceeding 36 dimmer packs, a splitter is required. Consult factory on details of DMX Splitters.

Analog Mode 0-10 VDC

For operation from devices using 0-10VDC protocol, up to 10 dimmer packs may be connected in series. For applications exceeding 10 dimmer packs, an additional feed from the analog dimming device is required.



Manual Mode

You may select a light intensity at which the fixtures operate. In this case, no external dimming device is required.

LC Dimming System/24 VDC

This proprietary dimming system provides full-range dimming of LEDs from our LED Drivers. The system components connect with CAT5 cable. Up to 25 dimmer packs may be connected in series if the total length of all CAT5 cable does not exceed 165 feet from the wall dimmer to the last dimmer pack. CAT5 cables are included with units.



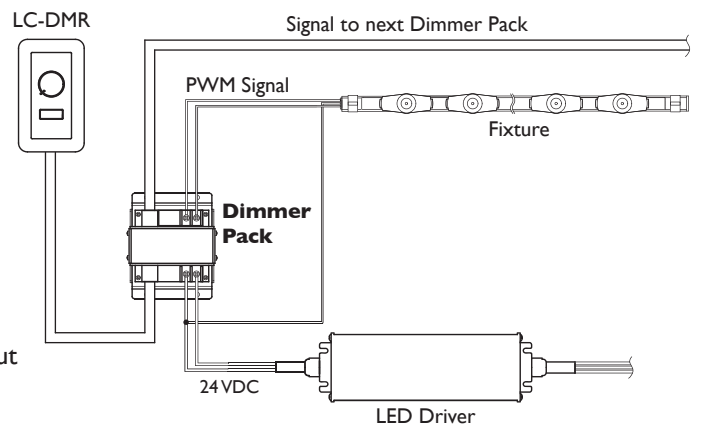
Part #: LC-DMR

The remote wall dimmer has a rotary dial and on/off switch. Power to the wall dimmer is provided from the LED Driver powering the first dimmer pack. The unit installs in a single-gang box.



Part #: LC-1CH-DP

Each dimmer pack receives a 24VDC input from an LED Driver and sends a PWM output to the fixture. Logic input and output is communicated through CAT5 cable. Max. Load: 96 watts @ 24VDC
 Dimensions: 1-1/2" x 3-1/2" x 4-1/16"



Restaurants

Hotels

Shopping Malls

Resorts

Casinos

Cabinetry

Showcase

Amusement Parks

Theatres

Residential

Signs and Displays

Millwork

Micro Series

Museums

City Walks

Exhibits

Hospitality

Point of Purchase

Retail Stores

Cruise Lines

Entertainment

Nightclubs

Stage/Theatrical



TOKISTAR® LIGHTING INC.

1015 E. Discovery Lane • Anaheim, CA 92801

Tel: 714.772.7005 • Fax: 714.772.7014 • Toll free in USA: 877.340.7633

Email: info@tokistar.com • Website: www.tokistar.com