



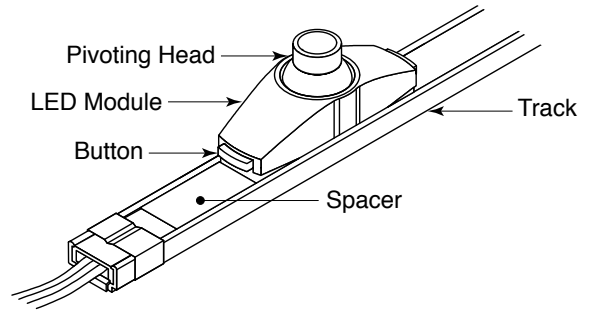
TOKISTAR LIGHTING INSTRUCTION MANUAL

Micro Tracklight Series

24 VDC

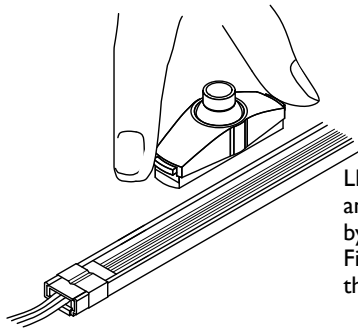
General Description

Tokistar's Micro Tracklight Series operates at 24 VDC from Class 2 Power Supplies. LED Modules with pivoting heads can be positioned at any location on the track. Each LED module consumes 1.6 watts. Each fixture is labeled with load and operating voltage.



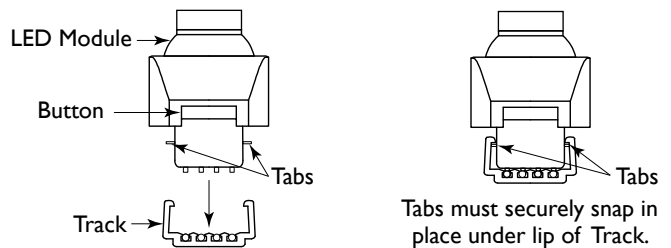
Step 1: Measure and cut the track to size.

Step 2: Determine position of LED Modules on track.



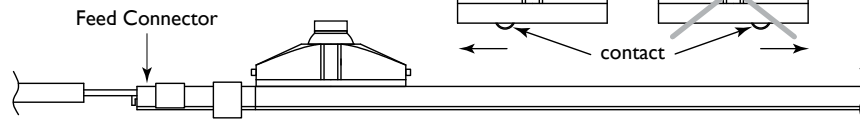
LED Modules can be removed and repositioned on the track by pressing buttons on the sides. Firmly re-insert modules in the track.

Inserting LED Modules



LED Module contact direction

Contacts must face in the direction of the feed connector.



PRECAUTIONS

1. Read all instructions completely before beginning installation.
2. Turn off electricity before beginning installation.
3. All wiring is to be performed by a qualified electrician.
4. Installation must comply with the National Electrical Code, and all applicable codes.
5. Turn main supply to the Power Supply on only after all connections have been made and tested.
6. Use only LED Drivers provided by Tokistar with the system.

TOKISTAR® LIGHTING

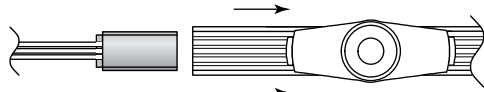
1015 E. Discovery Lane
Anaheim, CA 92801

TEL: 714 772 7005 FAX: 714 772 7014
email: info@tokistar.com Website: tokistar.com

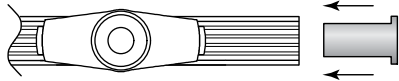
Step 3: Insert Feed Connector and End Cap

Feed Connector

Feed Connectors bring power to one end of a Tracklight run. Up to 60 LED Modules can be powered from a single connector.

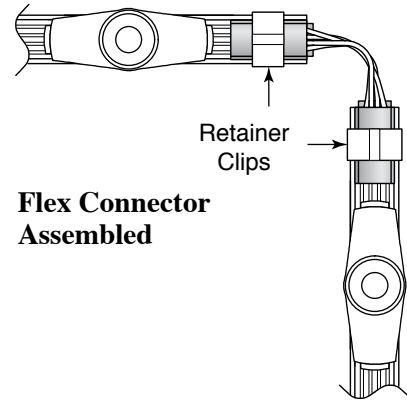


Do Not Snap Connectors in place from above. Slide in place.



Do Not Snap End Caps in place from above. Slide in place.

Step 3A: Insert Flex Connector (if required)

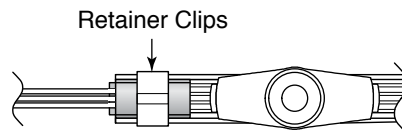


Step 4: Attach Retainer Clips

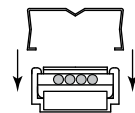
Retainer Clips

Retainer clips are included with Feed Connectors and Flex Connectors. These snap onto the fixture to provide a secure connection.

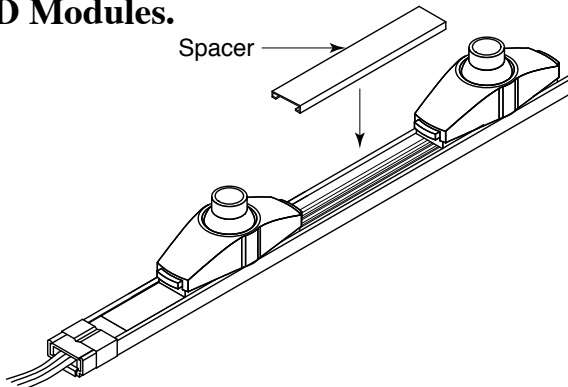
Feed Connector Assembled



Retainer Clips snap in place from above.



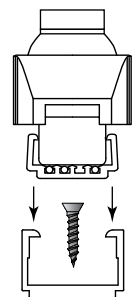
Step 5: Cut Spacer to size and insert between LED Modules.



Step 6: Install mounting clamps

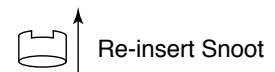
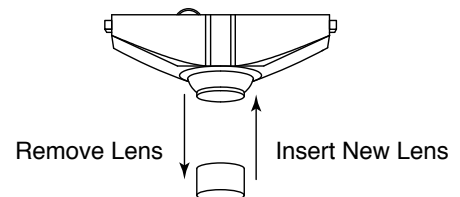
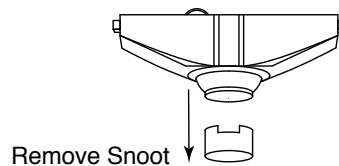
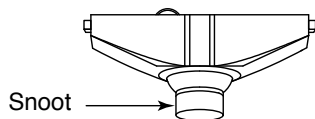
Mounting Clamp

Mounting clamps are attached with screws and the Micro Tracklight fixture is snapped in place. Recommended spacing is every 12".



Mounting Clamp

Lens Replacement



To replace a lens: Remove the Snoot then gently tap the LED module on a hard surface and the lens will pop out. Insert new lens and re-insert Snoot.

24 VDC LED Drivers

Micro Tracklight is ETL Listed when operated from our selection of 24 VDC LED Drivers. These Class 2 power supplies range from 16 to 192 watts. The input is universal ranging from 100 to 277 VAC 50/60 Hz.

LED Driver Installation

LDR24-16 (16 Watts) / LDR24-25 (25 Watts) / LDR24-40 (40 Watts)

These Class 2 LED Drivers convert an AC input into a 24 VDC output. Refer to the manual provided with the LED Driver for detailed installation instructions.

Part#	Input Volts	Output Volts	Output Ratings	Capacity
LDR24-16	100~240	24VDC	1 @ 0.67 Amps	10 LED Modules
LDR24-25	100~240	24VDC	1 @ 1.05 Amp	15 LED Modules
LDR24-40	100~240	24VDC	1 @ 1.67 Amps	25 LED Modules

100~277 VAC Input (North America Only)



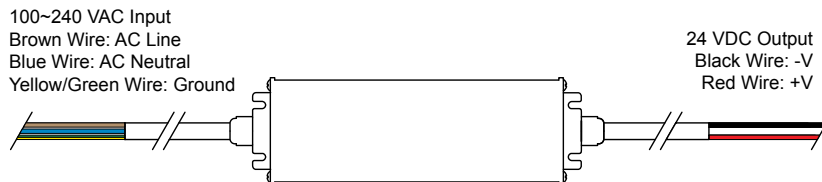
LDR24-16 / LDR24-25 / LDR24-40 LED Drivers

LDR24-96

This 96 Watt Class 2 LED Driver converts an AC input into a 24 VDC output. Refer to the manual provided with the LED Driver for detailed installation instructions.

Part#	Input Volts	Output Volts	Output Ratings	Capacity
LDR24-96	100~240	24VDC	1 @ 4.0 Amps	60 LED Modules

100~277 VAC Input (North America Only)

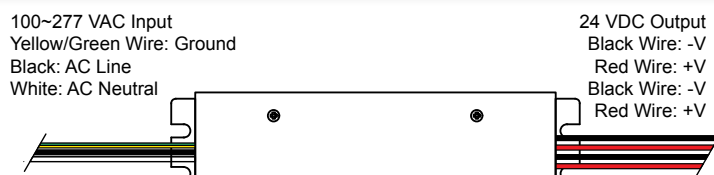


LDR24-96 LED Driver

LDR24-192

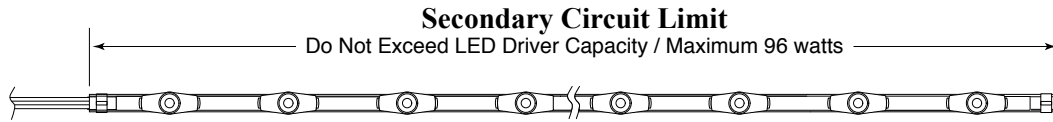
Tokistar's LDR24-192 has two independent 96 watt outputs. This unit has wiring compartments for splicing on input and output leads, and can be connected directly to conduit. Refer to the manual provided with the LED Driver for detailed installation instructions.

Part#	Input Volts	Output Volts	Output Ratings	Capacity
LDR24-192	100~277	24VDC	2 @ 4.0 Amps	120 LED Modules



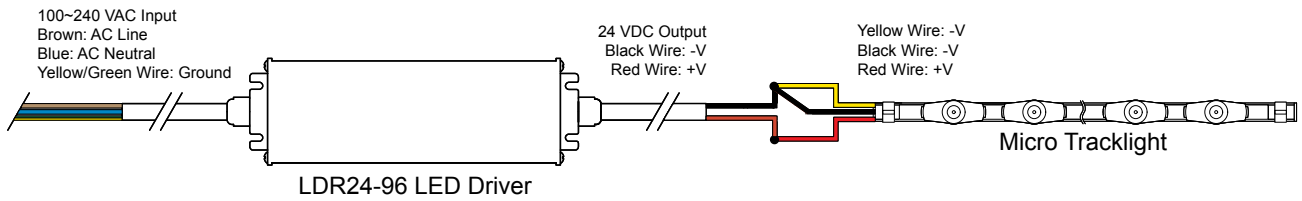
LDR24-192 LED Driver

Secondary Circuit Wiring

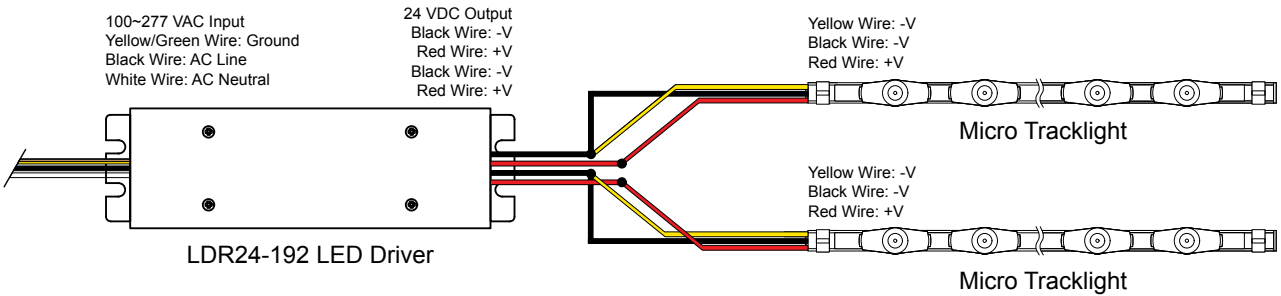


Non-Dimming Wiring Details

Single Output LED Driver



Dual Output LED Driver



Dimming Micro Tracklight

LC-1CH-MULTI Dimming System

Dimmer Pack - Part #: LC-1CH-MULTI

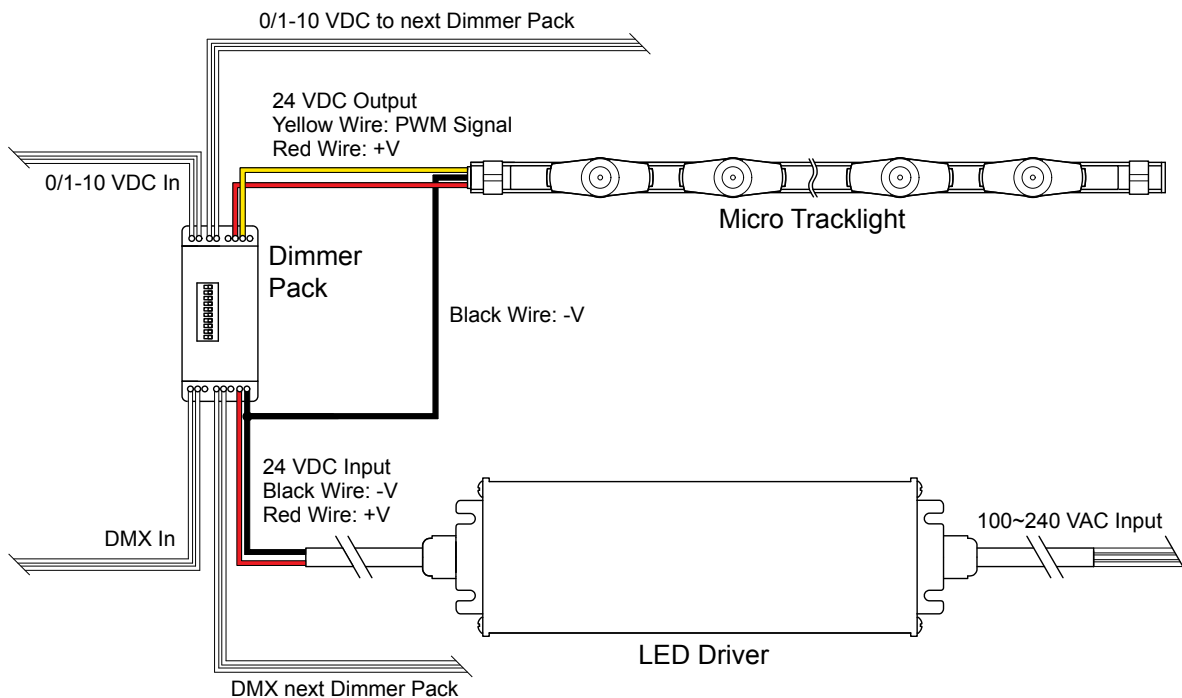
Each dimmer pack receives 24 VDC from an LED Driver. The LDR24-192 LED Driver has two independent 96 watt outputs. Each output requires an independent dimmer pack.

DMX Mode - Each unit is independently addressable. Up to 36 dimmer packs may be connected in series. For applications exceeding 36 dimmer packs, an additional feed from the DMX dimmer is required. The additional feed(s) can be sent directly from the dimmer, or you may use DMX Splitters. Consult factory on details of DMX Splitters.

Analog Modes - For operation from devices using 0/1-10 VDC protocol, up to 10 dimmer packs may be connected in series. For applications exceeding 10 dimmer packs, an additional feed from the analog dimming device is required.

Manual Mode - You may select a light intensity the fixtures will operate at. In this case, no external dimming device is required.

For further information, refer to the instruction manual provided with the LC-1CH-MULTI Dimmer Pack.



Dimming Micro Tracklight

LC Dimming System

Wall Dimmer - Part #: LC-DMR

Power to the remote wall dimmer is provided from the LED Driver powering the first Dimmer Pack. A 50 foot CAT5 cable is provided.

Dimmer Pack - Part #: LC-1CH-DP

Each dimmer pack receives 24 VDC from an LED Driver. The LDR24-192 LED Driver has two independent 96 watt outputs. Each output requires an independent dimmer pack. A CAT5 cable is provided with each unit. Up to 25 dimmer packs may be connected in series if the total length of all CAT5 cable does not exceed 165 feet from the wall dimmer to the last dimmer pack.

For further information, refer to the instruction manual provided with the LC-1CH-DP.

