

TECHNICAL DETAILS

- Interior Spotlight
- Supply Voltage: 12V
- Weight: 0.3kg
- Glass Size: Ø43mm
- Housing: Aluminium with a polyester powder coated finish



EXAMPLE SPECIFICATION

Graphic Remote Spotlight 12V 7.5W, on Surface Mount, Black Finish supplied with Soraa GU5.3 Vivid 10° 2700K lamp and Soraa Honeycomb Louvre Snap

[Graphic Spotlight Code (with finish) + Accessory Codes + Lamp Code]

9518-12 +109-313 + 206-130

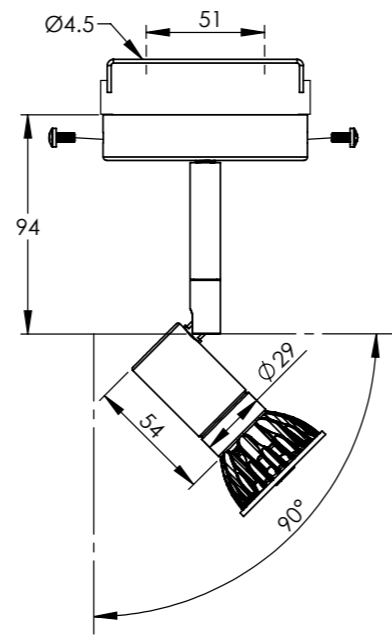
PRODUCT CODE EXAMPLE: 9518 - 1 2

FINISH	White (RAL 9010)	Black (RAL 9011)	Special (RAL / BS)
Code	1	2	3

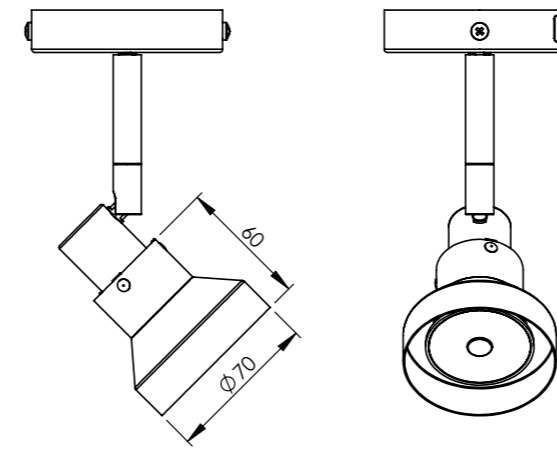
SORAA GU5.3 LAMP



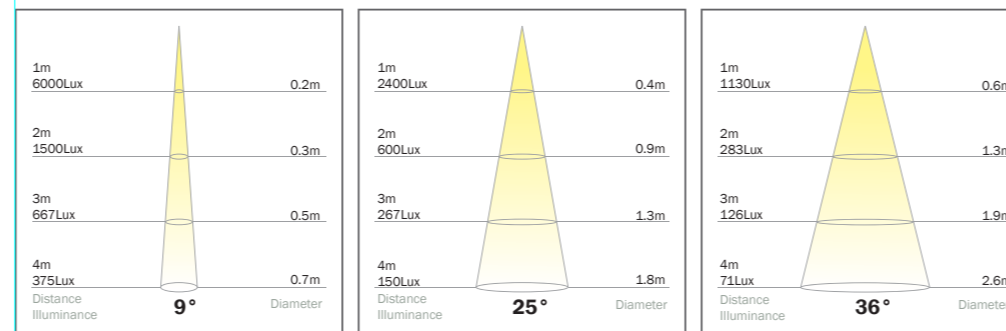
CEILING PLATE DIMENSIONS



CLIP ON COWL DIMENSIONS



PHOTOMETRIC DATA OF 3000K 7.5W LAMP



Lamps available for Soraa MR16 GU 5.3 12V 7.5W Lamp						
CRI	Wattage	Beam	Colour Temp / K	Luminous intensity / cd	Lumens	Lamp Code
95+ Vivid	7.5	10° Snap Compatible	2700	5,710	390	109-313
			3000	6,000	410	109-323
			4000	6,290	430	109-333
			2700	2,260	410	109-314
			3000	2,400	435	109-324
			4000	2,510	455	109-334
		36°	2700	1,070	410	109-315
			3000	1,130	435	109-325
			4000	1,190	455	109-335

NB. Other wattages are available, please enquire.

SORAA SNAP ACCESSORIES

Soraa Narrow 10° lamps are compatible with magnetic 'snap' accessories

25° Beam Spreader Snap	206-120
36° Beam Spreader Snap	206-121
60° Beam Spreader Snap	206-122
10° x 25° Linear Spreader Snap	206-123
10° x 36° Linear Spreader Snap	206-124
25° x 25° Linear Spreader Snap	206-125
36° x 36° Linear Spreader Snap	206-126
CCT Shifter Snap - 1/4 CTO	206-127
CCT Shifter Snap - 1/2 CTO	206-128
CCT Shifter Snap - 3/4 CTO	206-129
Honeycomb Louvre Snap	206-130
Aimable Snap	206-151
Clear Snap	206-152

ORIGINAL CCT	SNAP SYSTEM - CCT SHIFT VALUES		
	1/4 CTO	1/2 CTO	3/4 CTO
2700K	2450K	2200K	2000K
3000K	2700K	2400K	2200K
4000K	3500K	3000K	2700K
5000K	4250K	3550K	3125K

SORAA LAMP TECHNICAL DETAILS

Lamp: MR16 LED Dimmable Reflector Lamp
 Lamp Holder: GU 5.3
 Lamp Voltage: 12V
 Lamp Wattage: 7.5W Max
 Lamp CRI: See lamp data.
 Lifetime: 35,000Hrs (70% lumen maintenance)

ACCESSORIES

For lamps without snap facility, the accessory holder allows for fitting a range of accessories

GU5.3 MR16 Clip on Lamp Cover	248-1327-*
Accessory Holder	248-1301-*
C Spring	248-1306
Colour Glass ◇	248-1310-***
(See sheet CG001)	
Spread Lens Ribbed ◇	248-1311
UV Filter ◇	248-1313
IR Filter ◇	248-1314
Colour Dichroic Glass ◇	248-1315-***
(See sheet CDG001)	
Light Frost ◇	248-1316
Medium Frost ◇	248-1317
Heavy Frost ◇	248-1318
5mm Louvre ◇	248-1321-2
Half Shield Cowl	248-1327-*

◇ Indicates C Spring is required
 * Finish / Glass colour