

95201-xx GRAPHIC GU10

TECHNICAL DETAILS

- Interior Spotlight
- Supply Voltage: 230/240V 50/60Hz
- Weight: 0.35kg
- Glass Size: Ø43mm
- Housing: Aluminium with a polyester powder coated finish

UK CA CE Class 2 □ 0.5m | ▽ ⚡



EXAMPLE SPECIFICATION

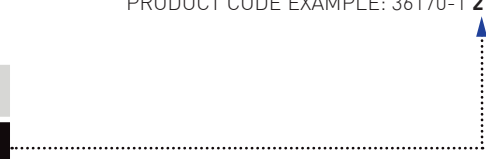
Graphic Remote Spotlight 230/240V 7.5W, on 3 circuit track adapter, Black Finish supplied with Soraa Vivid GU10 10° 2700K lamp and Soraa Honeycomb Louvre Snap

{ Graphic Spotlight Code (with finish) + Accessory Codes + Lamp Code }

95201-32 +109-290-20 + 206-130

PRODUCT CODE EXAMPLE: 36170-1 2

FINISH	White (RAL 9010)	Black (RAL 9011)	Special (RAL / BS)
Code	1	2	3

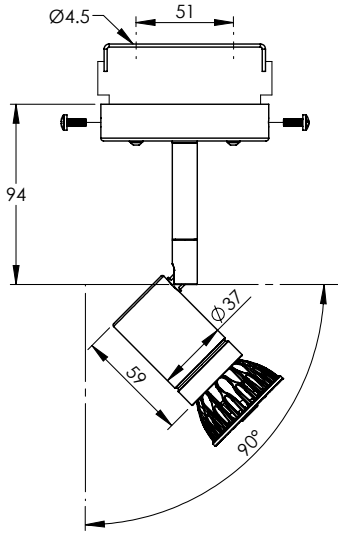


SORAA GU10 LAMP

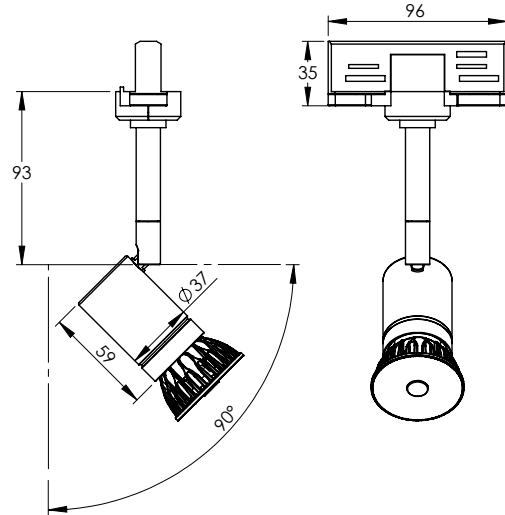


95201-xx GRAPHIC GU10

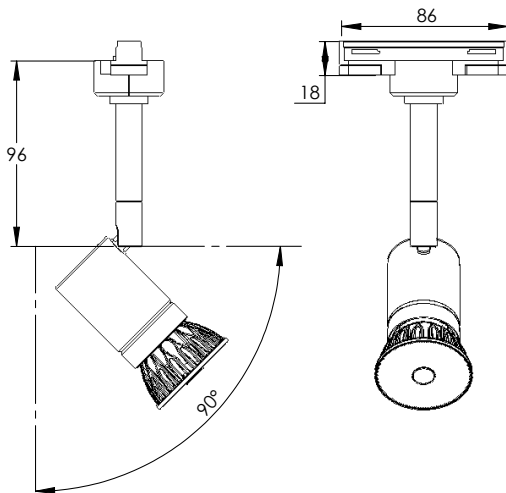
CEILING PLATE DIMENSIONS



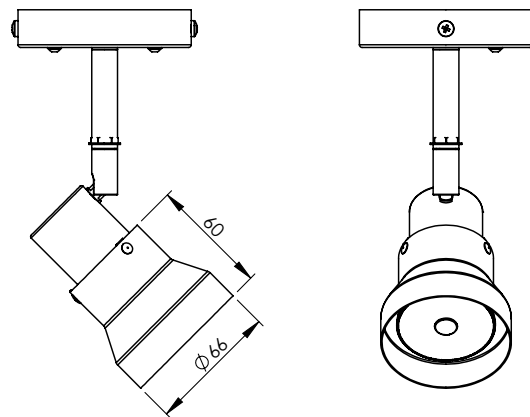
3 CIRCUIT EUTRAC DIMENSIONS



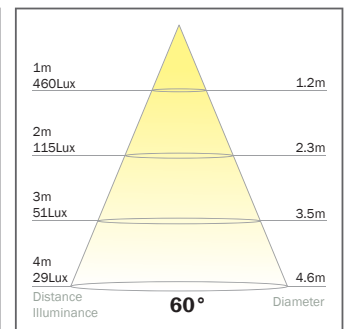
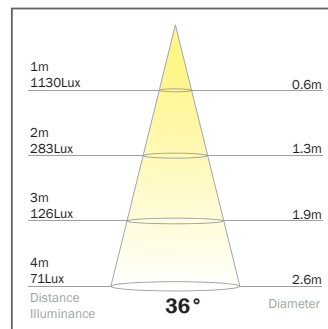
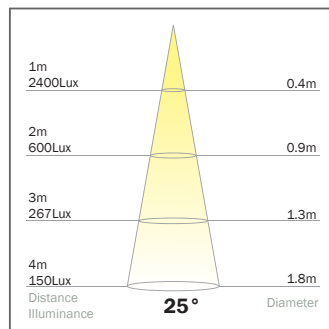
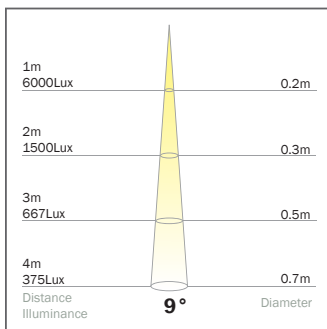
SINGLE CIRCUIT EUTRAC DIMENSIONS



CLIP ON COWL DIMENSIONS



PHOTOMETRIC DATA OF 3000K 7.5W LAMP



Lamps available for Soraa MR16 GU10 230/240Vac Lamp						
CRI	Wattage	Beam	Colour Temp / K	Luminous intensity / cd	Lumens	Lamp Code
95+ Vivid	7.5	10° Snap Compatible	2700	5,710	390	109-290-20
			3000	6,000	410	109-291-20
			4000	6,290	430	109-292-20
		25°	2700	2,260	410	109-290-21
			3000	2,400	435	109-291-21
			4000	2,510	455	109-292-21
		36°	2700	1,070	410	109-290-22
			3000	1,130	435	109-291-22
			4000	1,190	455	109-292-22
		60°	2700	440	410	109-290-24
			3000	460	435	109-291-24
			4000	490	455	109-292-24

SORAA LAMP TECHNICAL DETAILS

Lamp: MR16 LED Dimmable Reflector Lamp
 Lamp Holder: GU10
 Lamp Voltage: 230/240Vac
 Lamp Wattage: 7.5W Max
 Lamp CRI: See lamp data.
 Lifetime: 35,000Hrs (70% lumen maintenance)

NB. Other wattages are available, please enquire.

SORAA SNAP ACCESSORIES

Soraa Narrow 10° lamps are compatible with magnetic 'snap' accessories

25° Beam Spreader Snap	206-120
36° Beam Spreader Snap	206-121
60° Beam Spreader Snap	206-122
10° x 25° Linear Spreader Snap	206-123
10° x 36° Linear Spreader Snap	206-124
25° x 25° Linear Spreader Snap	206-125
36° x 36° Linear Spreader Snap	206-126
CCT Shifter Snap - 1/4 CTO	206-127
CCT Shifter Snap - 1/2 CTO	206-128
CCT Shifter Snap - 3/4 CTO	206-129
Honeycomb Louvre Snap	206-130
Aimable Snap	206-151
Clear Snap	206-152

ORIGINAL CCT	SNAP SYSTEM - CCT SHIFT VALUES		
	1/4 CTO	1/2 CTO	3/4 CTO
2700K	2450K	2200K	2000K
3000K	2700K	2400K	2200K
4000K	3500K	3000K	2700K
5000K	4250K	3550K	3125K

ACCESSORIES

For lamps without snap facility, the accessory holder allows for fitting a range of accessories

MR16 GU10 Clip on Lamp Cover	248-3627-*
Accessory Holder	248-1301-*
C Spring	248-1306
Colour Glass ◇	248-1310-***
(See sheet CG001)	
Spread Lens Ribbed ◇	248-1311
UV Filter ◇	248-1313
IR Filter ◇	248-1314
Colour Dichroic Glass ◇	248-1315-***
(See sheet CDG001)	
Light Frost ◇	248-1316
Medium Frost ◇	248-1317
Heavy Frost ◇	248-1318
5mm Louvre ◇	248-1321-2
Half Shield Cowl	248-1327-*

◇ Indicates C Spring is required
 * Finish / Glass colour