

TOKISTAR Focal SpotMini



TOKISTAR LIGHTING



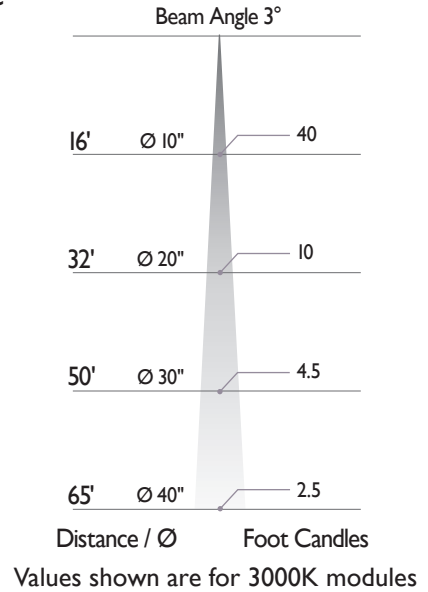
Focal SpotMini™

With the advent of LED down lights, there has been a void on how to precisely focus a concentrated beam of glare-free light on distant objects. Tokistar's Focal SpotMini is the innovative solution.

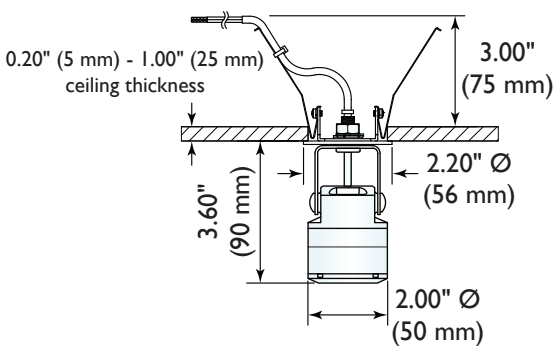
This luminaire produces a concentrated 3° beam of light with a glare-free reflector. Light sources are 2.1 watt LEDs. Beam direction is precisely controlled by having the ability to rotate and pivot the fixture head.



Tokyo National Museum
National Treasure: Haniwa Warrior in keiko armor

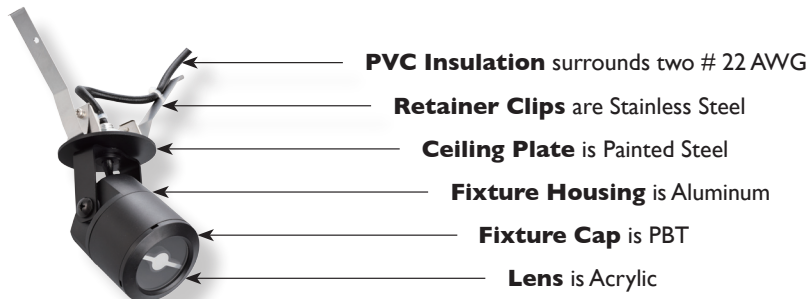


Specifications



LED Current: 700mA
 LED Power: 2.1W
 Cd: 10,800
 Beam Angle: 3°
 Color Temperatures: 2400K, 2700K, 3000K, 4000K, 5000K
 Lumens: 3000K/45 lm, 5000K/55 lm
 CRI: 85
 Rotation: 360°
 Pivot: 90°
 Cutout Dimension: 2" Ø
 Fixture Weight: 0.6 lbs

Focal SpotMini is ETL Listed to UL Standards and marked in accordance with CE Standards.





Specify by Catalog Number

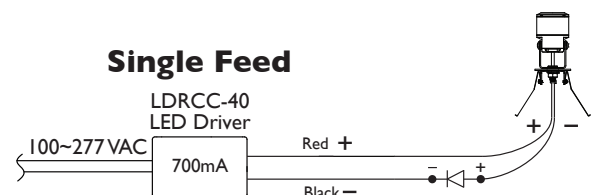
FSM - 3000K - 03D - B

LED Color		Lens		Fixture Color	
Code	Color	Code	Style	Code	Color
2400K	2400K	03D	3"	B	Black
2700K	2700K			W	White
3000K	3000K				
4000K	4000K				
5000K	5000K				

Wiring Diagrams

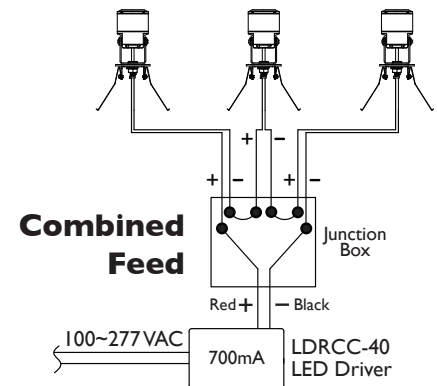
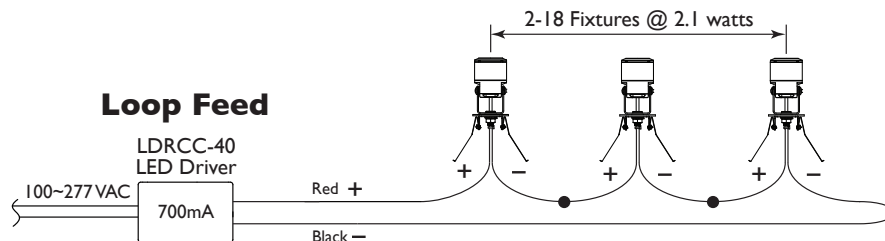
Single Fixture Diagram

A single fixture application requires the addition of a factory-installed diode in order to meet the minimum load levels of an LED driver.



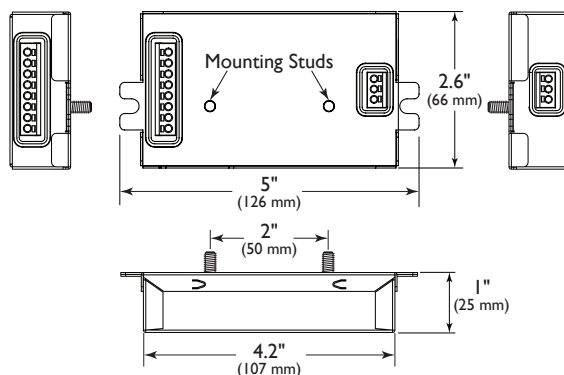
Multiple Fixture Diagram

From 2-18 fixtures can be fed from a single LED driver. These may be wired in a series/loop configuration, or each fixture can have independent lead wires routed back to the LED driver location and combined in a junction box.



LDRCC-40 Dimmable LED Driver

Our constant current LED driver offers PWM dimming from 0-10V dimming control and has full range dim-to-off capability. This ensures smooth flicker-free operation at all levels. The input is universal ranging from 100 to 277VAC 50/60 Hz.



LDRCC-40 Specifications

Input Range: 100~277 VAC
 Frequency Range: 50/60 Hz
 Output: 3-57 VDC
 Current: 700mA
 Max. Output Power: 40W
 Protection: Overload, Overcurrent, Short Circuit
 Over Temperature, Mis-Wiring protection (auto shutdown)
 Operating Temperature: -40°C to +50°C

Mechanical Specifications

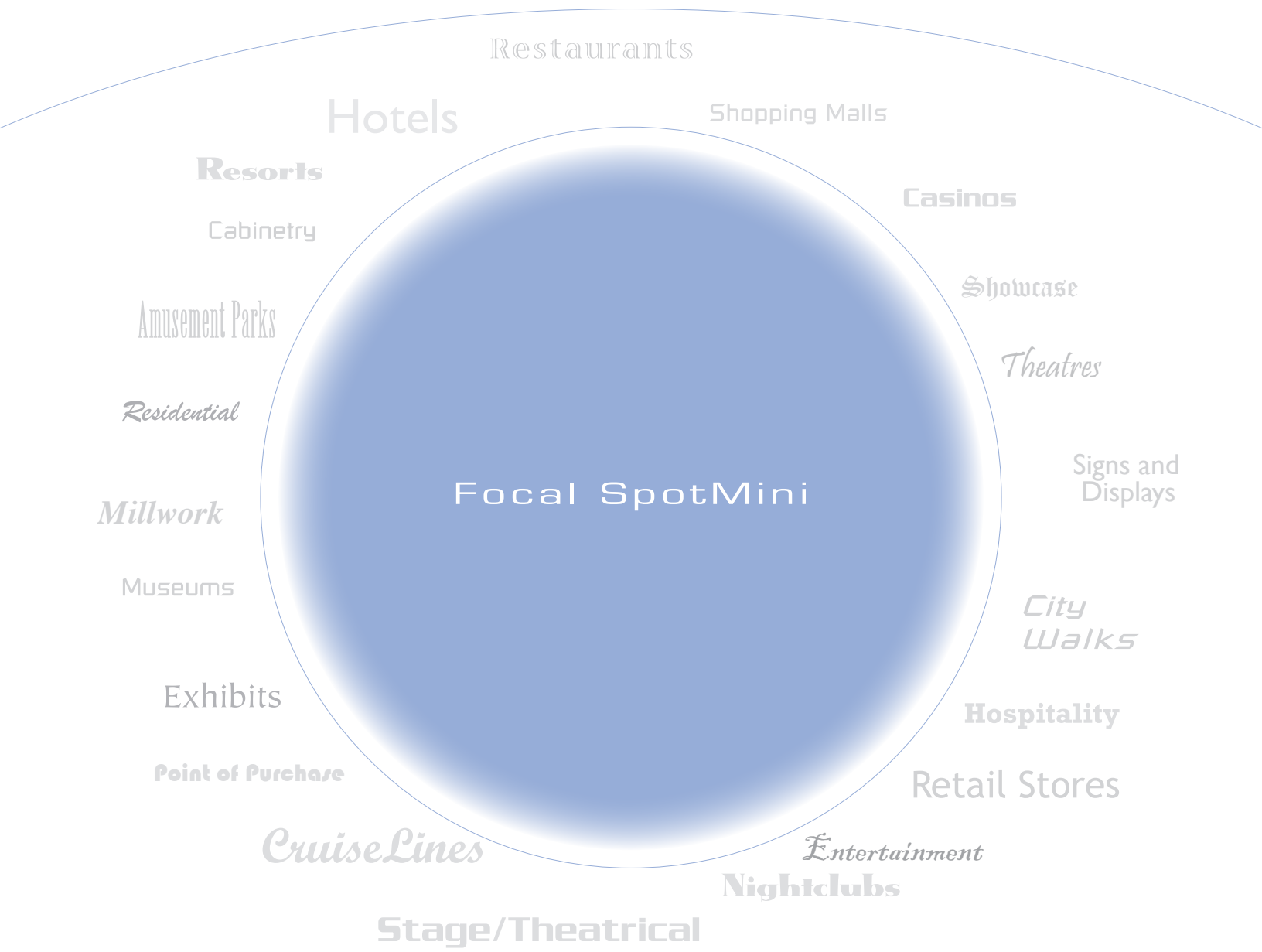
Dimensions: 5" x 2.6" x 1"
 Weight: 0.4 lbs
 Enclosure Rating: IP21
 Mounting: Flange Mount/Stud Mount
 Input/Output Connectors: Wago 253/16-20AWG

Safety Standards

Listed to UL8750, UL Class 2, Class P
 EMI Compliance: FCC 47CFR Part 15 Class B

LED Capacity

2.1 Watt Fixtures: 2 to 18



TOKISTAR® LIGHTING INC.

1015 E. Discovery Lane • Anaheim, CA 92801
 Tel: 714.772.7005 • Fax: 714.772.7014 • Toll free in USA: 877.340.7633
 Email: info@tokistar.com • Website: www.tokistar.com