

# TOKISTAR Focal Series



TOKISTAR LIGHTING

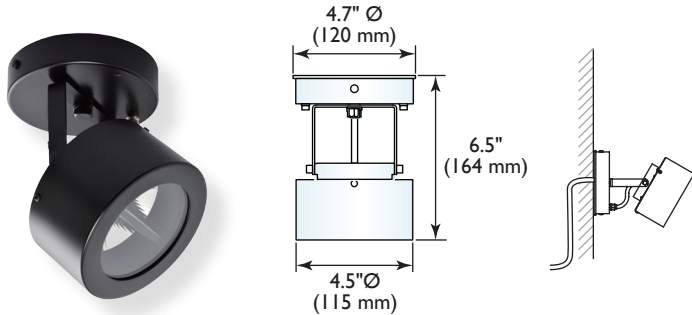


# Focal Series™

Tokistar's Focal Series are all-environment fixtures producing a very concentrated 3 degree beam of light with a glare-free reflector. Beam direction can be precisely controlled by rotating and pivoting the fixtures. Light sources are 2.1 watt LEDs operating from our dimmable 700mA LED drivers. Fixtures are listed for wet locations and have an IP66 rating.

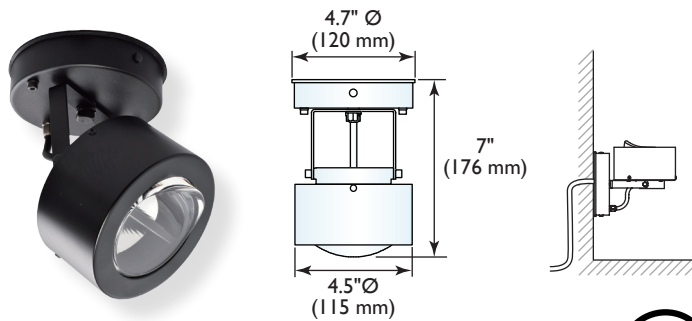
## Focal Spotlight™

Focal Spotlight is used to pinpoint distant objects with a 3 degree beam of symmetrical light.

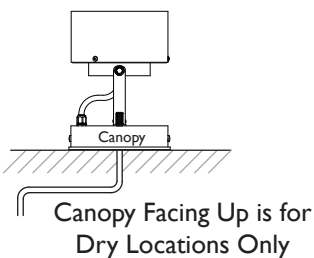
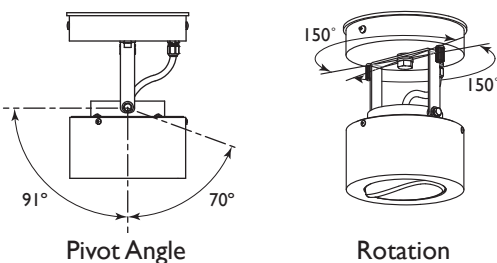


## Focal Line™

Focal Line features an asymmetrical lens to cast a line of light on building facades.



## Fixture Orientation



Focal Series is ETL Wet-Location Listed with an IP66 rating and marked in accordance with CE Standards.



## Specifications

LED Current: 700mA (Constant Current)  
LED Power: 2.1W  
Focal Spotlight Cd: 30,000  
Focal Line Cd: 17,000  
Beam Angle: 3°  
Color Temperatures: 3000K, 5000K  
Focal Spotlight Lumens:  
3000K/73 lm, 5000K/83 lm  
Focal Line Lumens:  
3000K/88 lm, 5000K/100 lm  
CRI: 80  
Enclosure Rating: IP66  
Weight: 1.7 lbs

Beam Angle 3°	
Distance / Ø	Foot Candles
16' Ø 10"	112
32' Ø 20"	28
50' Ø 30"	13
65' Ø 40"	7

Values shown are for 5000K modules.

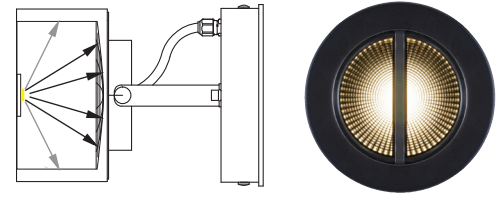


## Specify by Catalog Number

**FSP - 3000K - 03D - B**

Series		LED Color		Lens		Fixture Color	
Code	Lens	Code	Color	Code	Type	Code	Color
FSP	Symmetrical	3000K	3000K	03D	3°	B	Black
FLN	Asymmetrical	5000K	5000K				

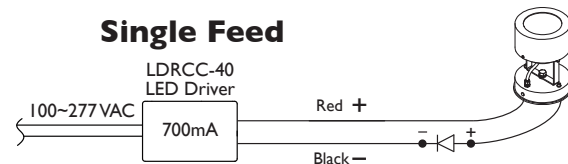
The LED is discreetly positioned out of direct view and light is focused on a multi-faceted reflector for a concentrated 3 degree beam of glare-free light.



## Wiring Diagrams

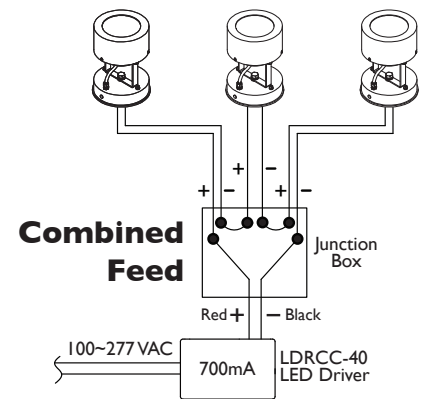
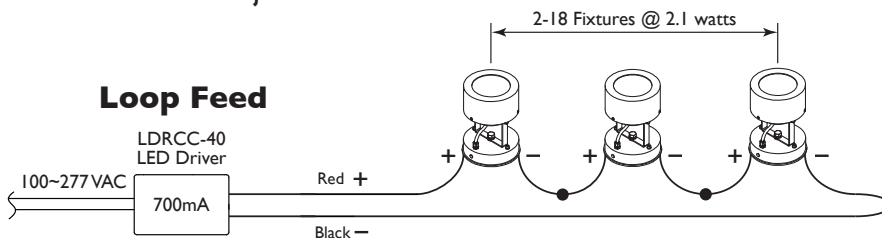
### Single Fixture Diagram

A single fixture application requires the addition of a factory-installed diode in order to meet the minimum load levels of an LED driver.



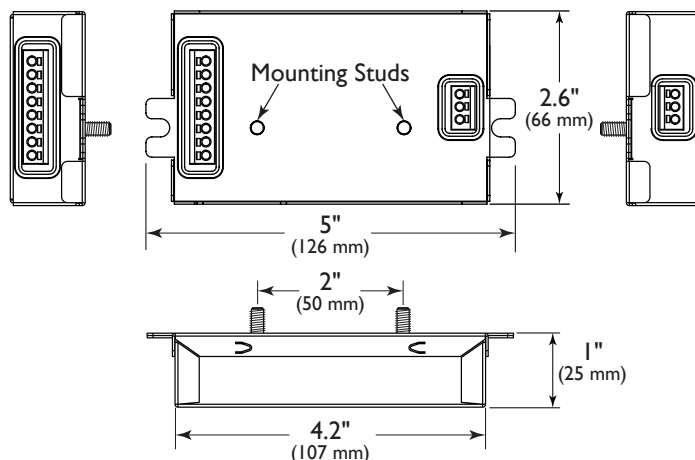
### Multiple Fixture Diagram

From 2-18 fixtures can be fed from a single LED driver. These may be wired in a series/loop configuration, or each fixture can have independent lead wires routed back to the LED driver location and combined in a junction box.



## LDRCC-40 DIMMABLE LED DRIVER

Our constant current LED driver offers PWM dimming from 0-10V dimming control and has full range dim-to-off capability. This ensures smooth flicker-free operation at all levels. The input is universal ranging from 100 to 277VAC 50/60 Hz.



### LDRCC-40 Specifications

Input Range: 100~277VAC  
 Frequency Range: 50/60 Hz  
 Output: 3-57 VDC  
 Current: 700mA  
 Max. Output Power: 40W  
 Protection: Overload, Overcurrent, Short Circuit  
 Over Temperature, Mis-Wiring protection (auto shutdown)  
 Operating Temperature: -40°C to +50°C

### Mechanical Specifications

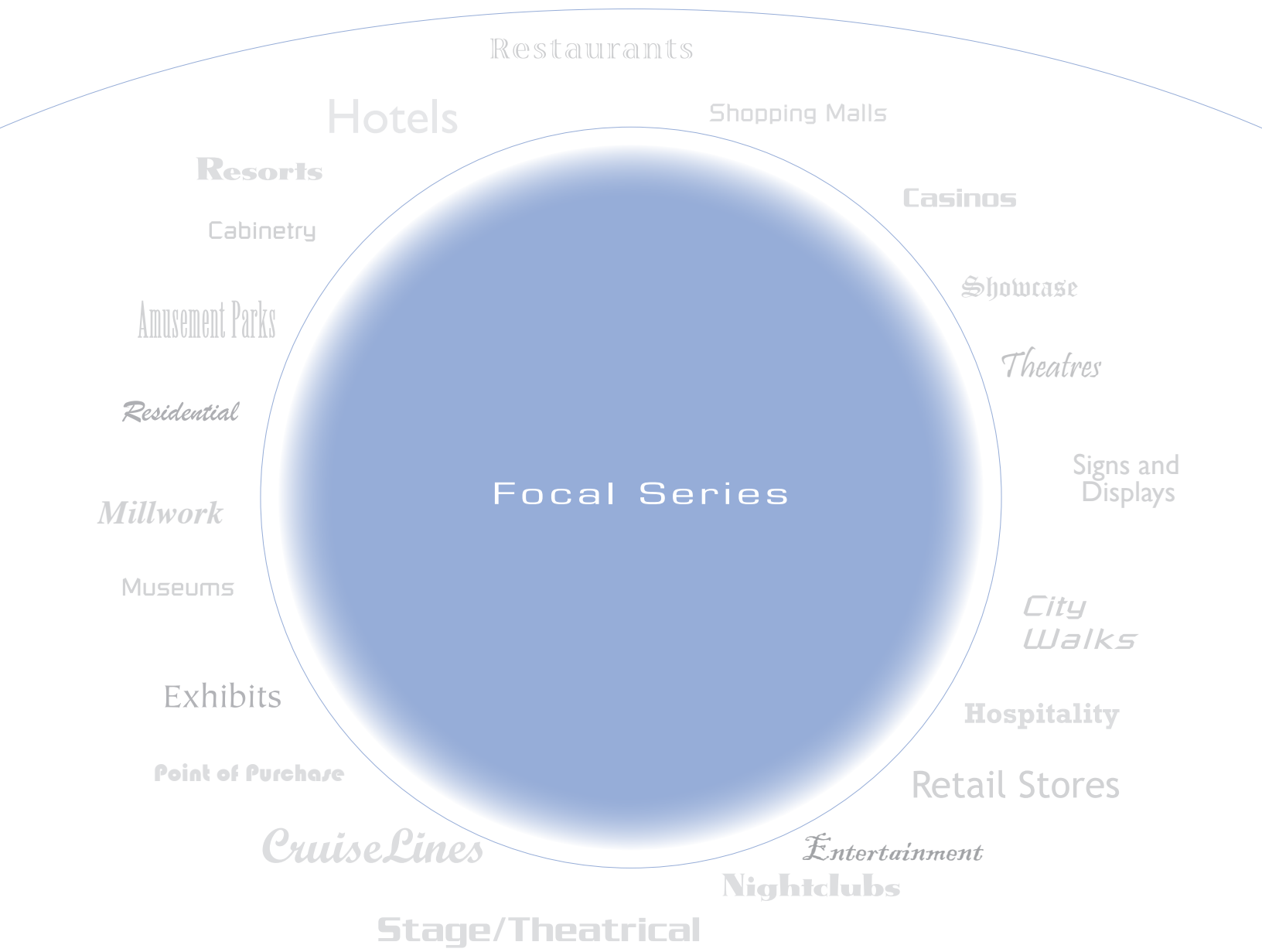
Dimensions: 5" x 2.6" x 1"  
 Weight: 0.4 lbs  
 Enclosure Rating: IP21  
 Mounting: Flange Mount/Stud Mount  
 Input/Output Connectors: Wago 253/16-20AWG

### Safety Standards

Listed to UL8750, UL Class 2, Class P  
 EMI Compliance: FCC 47CFR Part 15 Class B

### LED Capacity

2.1 Watt Fixtures: 2 to 18



**TOKISTAR® LIGHTING INC.**

1015 E. Discovery Lane • Anaheim, CA 92801  
 Tel: 714.772.7005 • Fax: 714.772.7014 • Toll free in USA: 877.340.7633  
 Email: info@tokistar.com • Website: www.tokistar.com