

TO KISTAR Selection Guide



Lighting Innovation

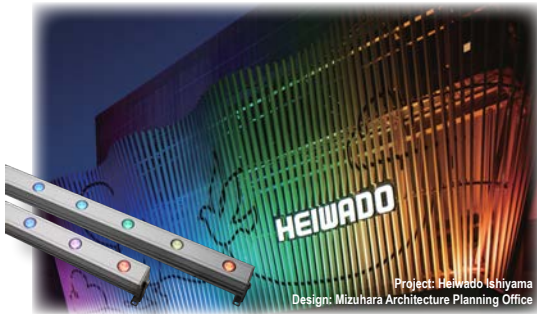
Tokistar™ Innovation

Since Tokistar's inception in 1971, we have remained dedicated to realizing our goals by dreaming, experimenting and bringing them to light. With the market constantly evolving due to the introduction of new LED technologies, we have aggressively kept pace. Our objective has always been to create innovative lighting systems which perform beyond expectations. This we do with great passion.



KromaStar Series - Page 4

RGBW LEDs attached to a flexible cable with clear and frosted globes produce brilliant mixed color



Project: Heiwado Ishiyama
Design: Mizuhara Architecture Planning Office

KromaStar Wash - Page 5

4-in-1 RGBW LEDs behind a single lens produce stunning blended color from each light source



Exhibitor - Pages 6 & 7

All environment festoon lighting and pendants with clear, frosted and colored globes



Project: GMO Internet Co., Ltd.
Photo: Nicasa and Partners

Gradient GRX & O'Links - Page 8

High-output luminaire for exterior wall grazing



Design: Kenji Kuma and Associates
Lighting Design: Lightmoment Inc

Gradient GRHB & I'Links - Page 9

High-output luminaire for interior wall grazing



Peter Luger Steak House Tokyo
Owner: Wondertable, Ltd.
Store Design: DESIGN POST INC.
Lighting Design: Arc Light Design, LLC / glow Inc.
Photo: Nacasa & Partners Inc.

Reveler - Page 10

Flexible indirect lighting for use in all environments with optional channels and louvers

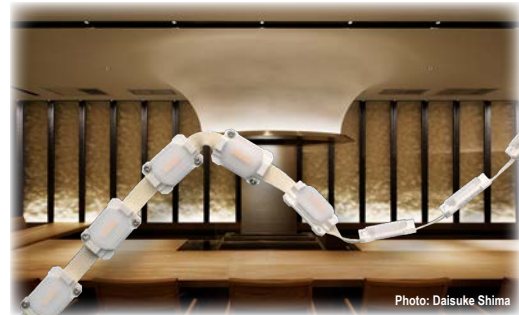


Photo: Daisuke Shima

Advantage XF - Page 11

Flexible LED cove and indirect lighting with a dim-to-warm option

Tokistar Systems are ETL Listed and marked in accordance with CE Standards





TokiLux - Page 12

Compact LED luminaires for wall grazing, cove and indirect applications with Kelvin-Tuning and RGB options



Light Veil - Page 13

Interior Wall Grazer with asymmetrical optics for surface and recessed applications



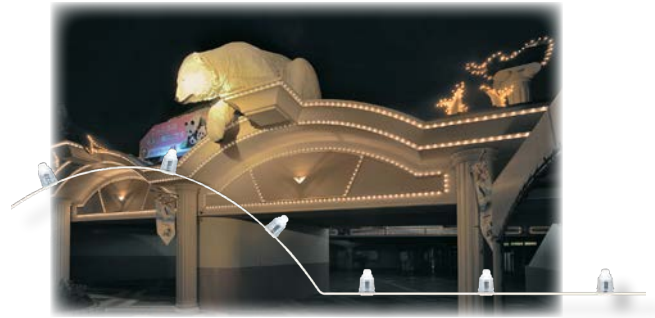
Micro Series - Pages 14 & 15

Miniature LED systems for showcase, display, museum and shelf lighting



Focal Series - Pages 16 & 17

Spotlights with a 3 degree beam and glare-free reflector for indoor and outdoor applications



Tapelight - Page 18

All environment flexible lighting fixtures for a wide range of indirect and point-source applications



Lightstrings - Page 19

Exterior systems with sockets permanently sealed to a flexible cable for tree, panel and sign illumination



Tokilum & Trillium - Pages 20 & 21

Low profile and all environment lighting in a variety of color temperatures and RGB



TokiLinear & Cable Lighting - Pages 22 & 23

Compact Profile interior lighting available with diffused lens and RGB option

KromaStar is Tokistar's newest lighting innovation featuring 4-in-1 RGBW LEDs for consistent mixed color. Each LED consumes 0.96 watts at full brightness.

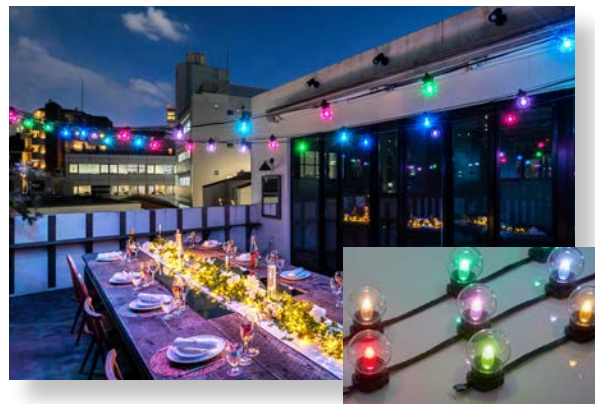
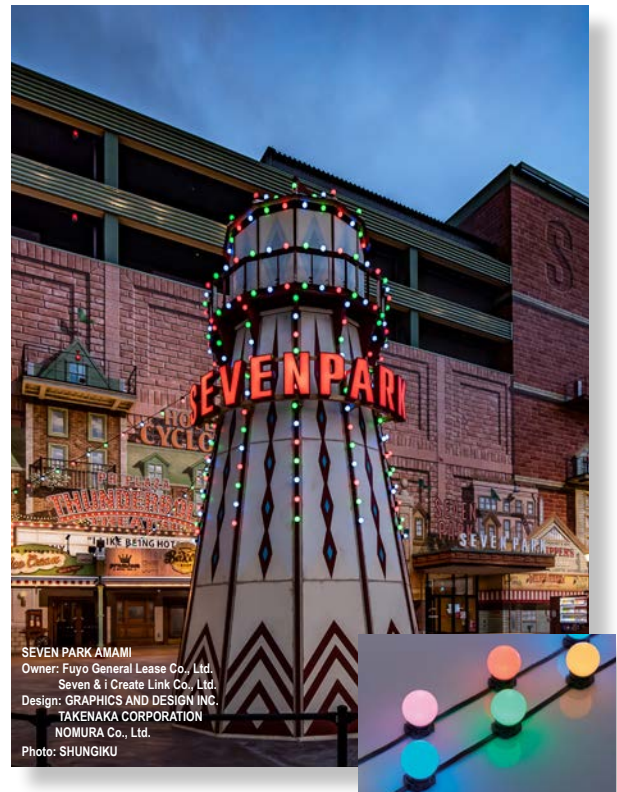
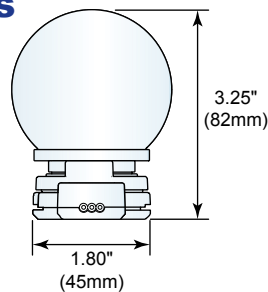
There are three distinct versions:

- KromaStar Flex is the foundation of all versions and does not include a globe.
- Clear globes create vivid points of light and frosted globes provide a softer uniform appearance.
- Our Virtual Incandescent version creates distinct points of colored light from all viewing perspectives.

All systems are approved for wet location and operate from 24VDC Class 2 LED drivers. KromaStar LEDs are replaceable.

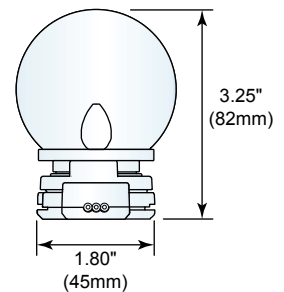
Frosted and Clear Globes

Frosted globes diffuse light to provide a uniform soft appearance. Clear globes create distinct points of light. Standard socket spacings include 12, 18 and 24". Custom spacings are available upon request.



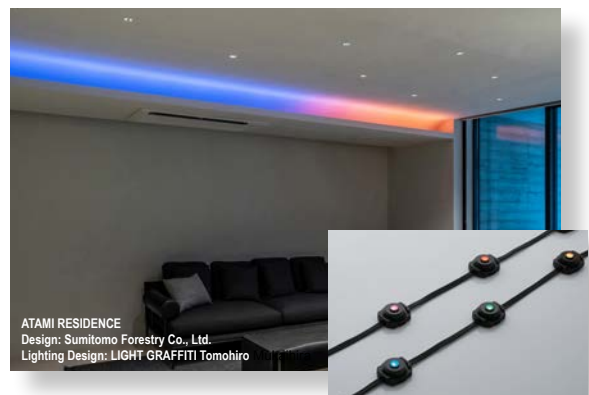
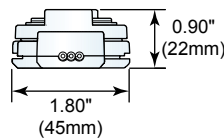
Virtual Incandescent™ with Clear Globes

Our Virtual Incandescent polycarbonate lens does a remarkable job of emulating traditional incandescent filaments from all perspectives. Standard socket spacings include 12, 18 and 24". Custom spacings are available upon request.



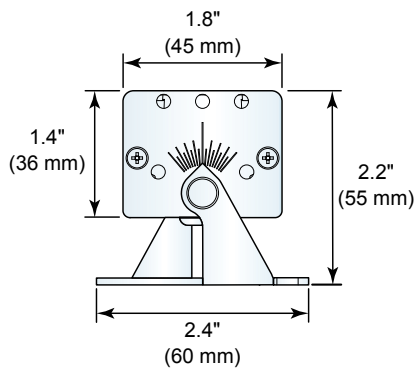
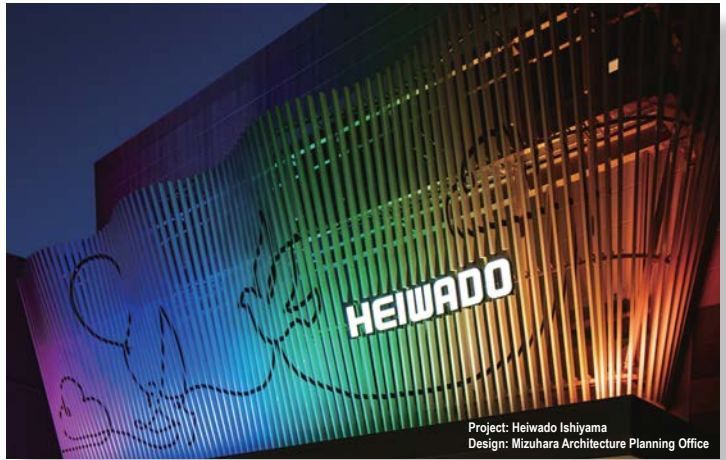
KromaStar Flex

KromaStar Flex may be used as a direct or indirect light source. When panel mounted it provides vibrant color-changing points of light. As an indirect source it creates vivid blended color. Standard socket spacings include 4, 12, 18 and 24". Custom spacings are available upon request.



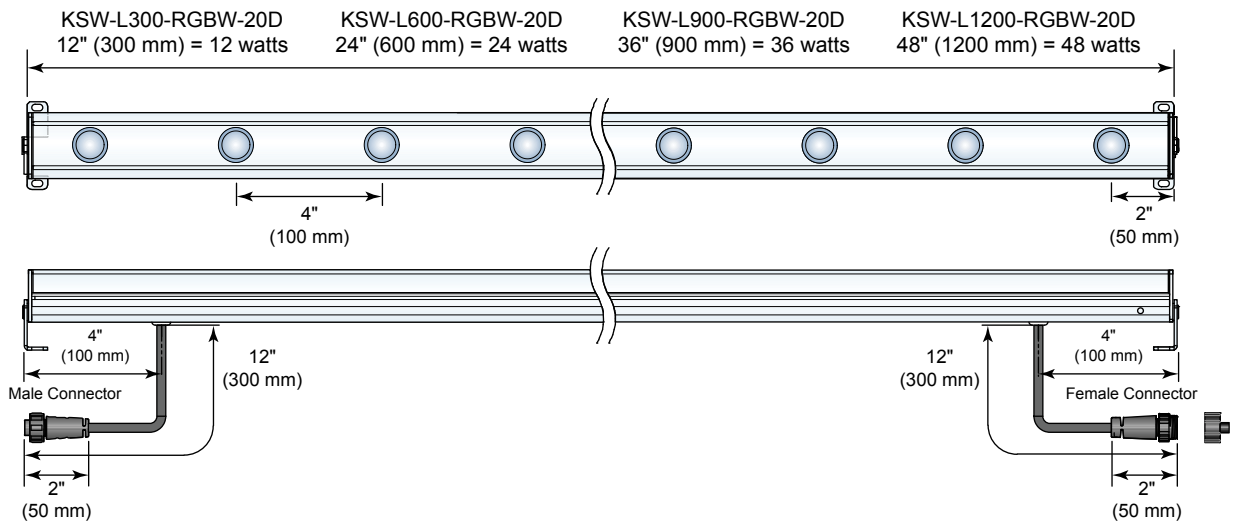
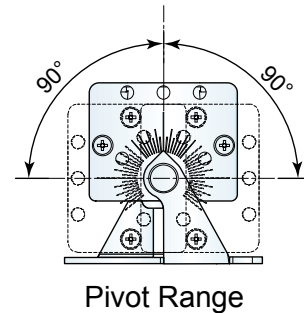
KromaStar Wash incorporates high-powered 4-in-1 RGBW LEDs behind a single lens for producing consistent mixed colors from each light source. Each Red, Green, Blue and White LED die is independently addressable with the use of a DMX control system.

The system is Wet-Location Listed and rated IP66. Fixtures and cables use twist-lock IP67 rated connectors for great convenience and reliability.



KromaStar LEDs consume four watts each and are independently addressable. Fixtures include IP67 rated male/female connectors and an end cap to insulate the end of a run. Each fixture includes adjustable mounting brackets.

Fixtures come in four different sizes, and up to 96 watts may be interconnected and operated from a single LED Driver and Data Converter.



Exhibitor™ Series

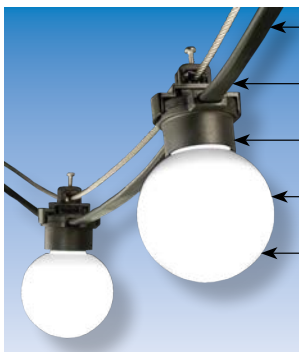
Exhibitor Series is a Wet-Location Listed/ IP65 rated festoon lighting system used in amusement parks, shopping centers, street decorations and promenades. Exhibitor fixtures may also be incorporated into signs or surface mounted to accent rooflines and other architectural features.

A wide selection of LEDs allow you to create a system to complement any theme, setting or ambient light level.

Exhibitor operates from industry-standard 24VAC transformers and is easily dimmed. Transformers are provided within NEMA 3R enclosures.

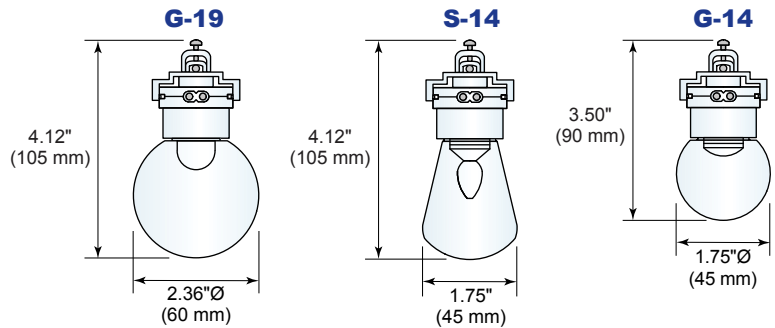


Exhibitor with Virtual Incandescent LEDs creates a radiant canopy of light.



- ← **Cable insulation** is flexible PVC
- ← **Conductors** are stranded and plated wire
- ← **Sockets** permanently fastened and sealed to cable
- ← **Light sources** include 0.48 and 1.8 watt LEDs
- ← **Polycarbonate globe** with flammability rating UL 94V-2
Wet-Location Listed/IP65 Rated

Globe Selection



Light Sources

Virtual Incandescent™ and Ultra Bright LEDs consume 1.8 watts. Our highly efficient 0.48 watt LEDs are available in a variety of colors.



Virtual Incandescent™ 1.8 watts /24VAC

Virtual Incandescent LEDs do a remarkable job of emulating point-source effects of traditional incandescent lamps.



Ultra Bright LED 1.8 watts /24VAC

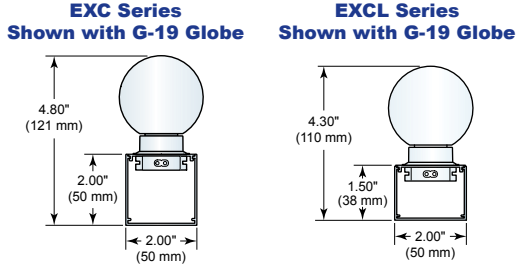
These LEDs have the same apparent brightness as incandescent lamps, with over four times the life rating.

0.48 watt LEDs Shown with Frosted Globes



EXC Series

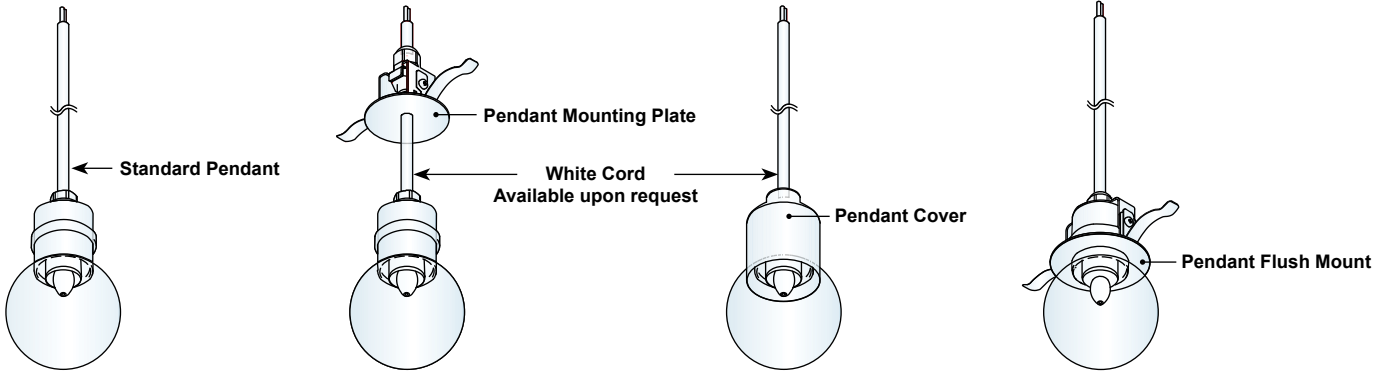
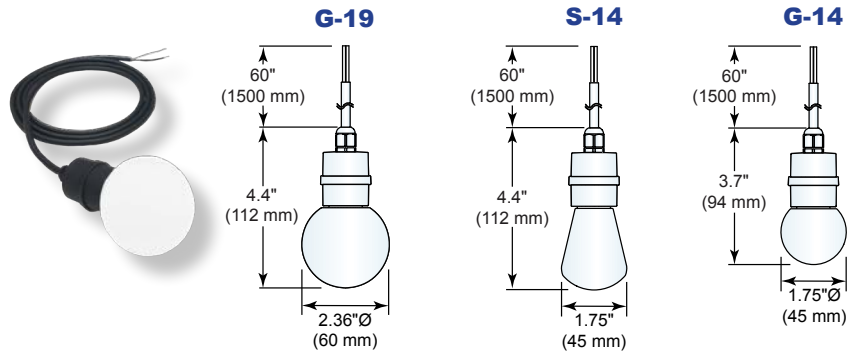
EXC Series is available in a 2" x 2" or 1.5" x 2" aluminum profile for use in all environments. Standard finish is satin aluminum, and custom finishes are available upon request. Fixtures can be wired for single circuit or chasing effects. Consult factory for custom curving.



EXC series brings welcome attention to this concession stand.

Exhibitor Pendants

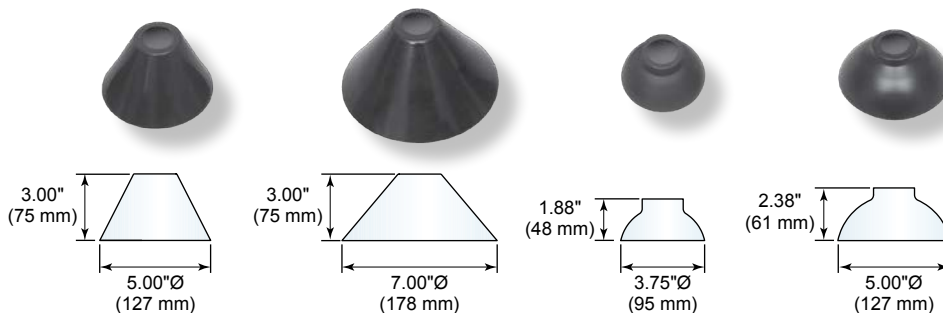
Exhibitor Pendants are independent sockets of our Exhibitor Series with a lead wire exiting the back. Fixtures have an IP66 rating and are Wet-Location Listed. We offer two different mounting plates for suspended and flush-mount applications. Pendant covers are aluminum spinnings available in brass, black or white.



Exhibitor Shades

For a distinctive look, these lightweight aluminum spinnings may be added to festoon applications or used with Exhibitor Pendants. Standard finish is black and custom finishes are available on request.

Part #: EX-CS1-B Part #: EX-CS2-B Part #: EX-CS3-B Part #: EX-CS4-B



Select from one of our standard shapes or create your own design.

Tokistar's GRX Series high-output LEDs ensure superior performance in both interior and exterior applications. GRX is wet-location listed with an IP66 rating.

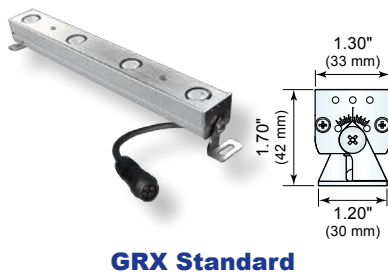
Male and female connectors provide easy and reliable wiring. Different lengths of GRX can be combined to tailor fixtures to the unique requirements of each project.

Fixtures are fitted with adjustable brackets to precisely focus light. There are three fixture styles to accommodate various applications and reduce glare.



Project: GMO Internet Co., Ltd.
Photo: Nicasa and Partners

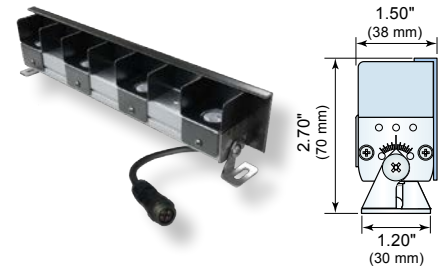
A combination of GRX and O'Links fixtures create a spectacular display of light.



GRX Standard



GRX with Glare Guard

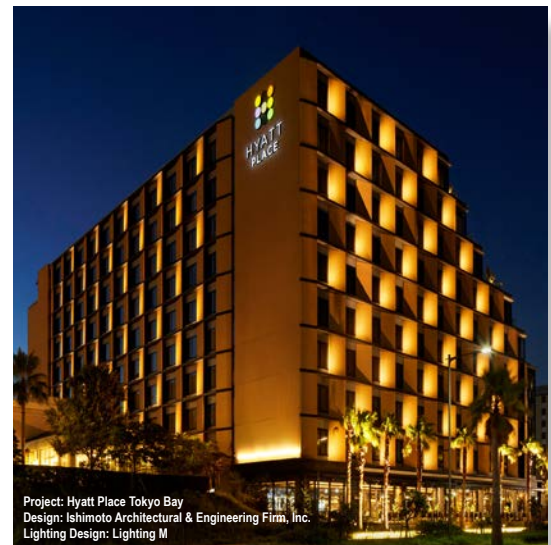
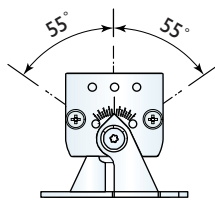


GRX with Glare Guard & Louvers

O'Links

GRX O'Links are the same size profiles and have the same options as standard GRX Gradient. They are available in 1 or 3-LED module versions for casting light on columns, illuminating within a narrow space or linked together to flow light along curved surfaces.

O'Links operate from our constant current LED drivers with integral 0-10VDC dimming capability on board. Up to 18 LEDs may be connected in series. O'links is Wet-Location Listed and has an IP66 rating.



Project: Hyatt Place Tokyo Bay
Design: Ishimoto Architectural & Engineering Firm, Inc.
Lighting Design: Lighting M

O'Links with 3000K LEDs highlights each balcony.



Design: Kengo Kuma and Associates
Lighting Design: Lightmoment Inc

GRHB with 2700K LEDs and a spread lens warmly grazes this wall display.

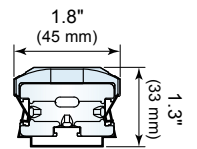
Tokistar's Gradient GRHB is a compact LED luminaire for use in wall grazing interiors. The system features high-output 2.1 watt LEDs within an extruded aluminum housing. GRHB operates from constant current LED drivers with integral 0-10VDC dimming capability on board. Up to 18 LEDs may be connected in series.

Gradient GRHB has a variety of options designed toward meeting specific lighting objectives.

- LED spacings of 2.4"/60mm, 3"/75mm and 4"/100mm
- Optics includes an 8, 15 or 40 x 15 degree spread lens
- Color temperatures include 2700, 3000 and 4000K
- Mounting options include fixed or adjustable brackets
- Optional louvers and a glare guard keep light discreetly hidden from view



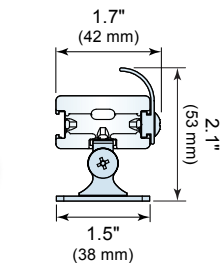
Honeycomb Louver



Fixed Bracket with Honeycomb Louver



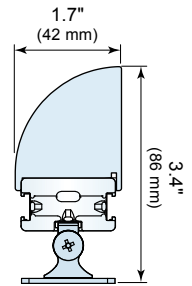
Glare Guards



Adjustable Bracket with Glare Guard



Vertical Louver



Adjustable Bracket with Louver

I'Links

I'Links are single LED modules of GRHB with flexible wires connecting them in series. Each module can be fitted with the same options available with GRHB Series.



Reveler is an indirect lighting system featuring many of the most popular and unique virtues of other Tokistar lighting systems.

With a Wet-Location listing and an IP66 rating, it is perfectly suited for lighting building facades. A flexible conductor easily conforms to twists and turns.

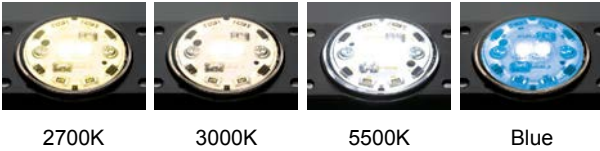
Reveler operates from industry-standard 12VAC transformers and is easily dimmed. Transformers are provided within NEMA 3R enclosures.



Reveler follows form to create a striking display of indirect light.

Basic System

Reveler Color Options

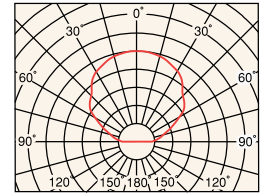
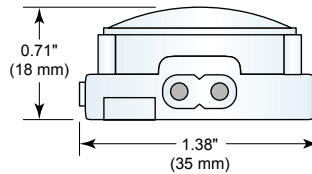


2700K 3000K 5500K Blue



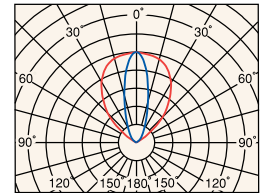
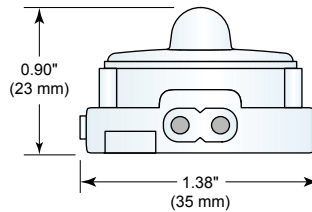
The optics package includes a 120° lens for broad distribution.

120° Lens



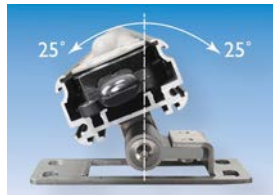
Our linear spread lens is perfect for grazing light greater distances.

25° x 80° Spread Lens



Optional Channels

Reveler silver-anodized channels ensure the linear integrity of an installation. An integral louver is available as a "glare guard" to keep LEDs from line of sight. Maximum channel length is 94.5" (2.4 M).



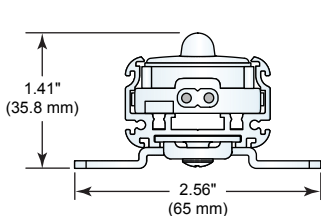
Adjustable brackets pivot 25°



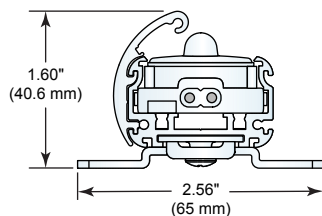
RVC Series



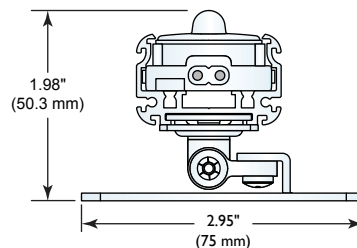
RVCL Series



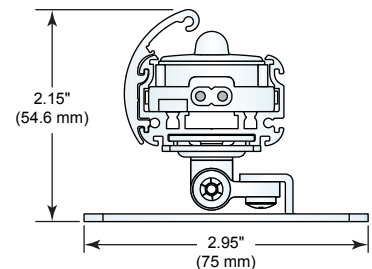
RVC Series
Fixed Bracket



RVCL Series
Fixed Bracket



RVC Series
Adjustable Bracket



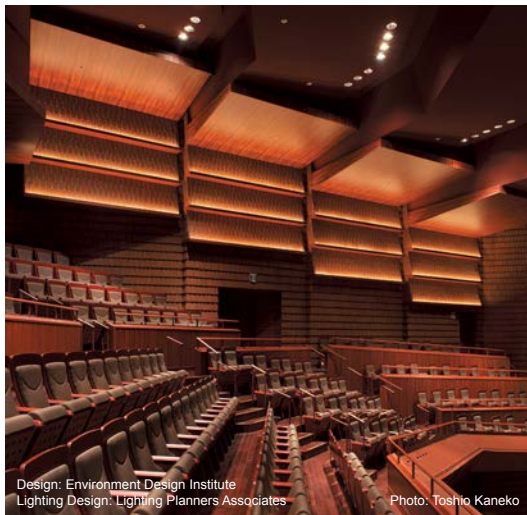
RVCL Series
Adjustable Bracket

Advantage XF provides an attractive, efficient, durable form of indirect decorative lighting. Flexible conductors conform precisely to curves, twists and turns. Since the flexing is on the cable, LEDs remain firmly seated in their sockets.

Energy-efficient LEDs include 2000, 2400, 2700, 3000, 3500, and 4000K. We also offer our Kelvin-Changing KC LEDs. LED modules consume only 0.72 Watts each, making them an extremely efficient light source.



AVXF highlights contours with a seamless flow of light.



Design: Environment Design Institute
Lighting Design: Lighting Planners Associates
Photo: Toshio Kaneko

A striking display of Advantage highlights this concert hall.

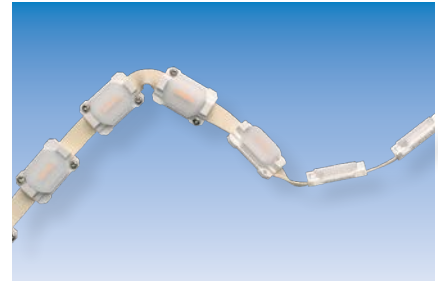
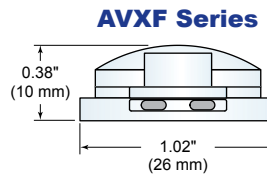


Photo: Daisuke Shima

Advantage XF conforms to this circular structure and grazes the ceiling with light.

Advantage XF KC (Kelvin-Changing) LEDs

Our unique KC LEDs change color temperature as they are dimmed. They begin at 2700K and go all the way to a candlelight color of 2000K.



2700K Level



2000K Level

Tokilux Systems are high-performance LED luminaires for use in interiors as an indirect light source. They fit within tight architectural details and in a variety of casework and shelf conditions. The remarkable life ratings of our LEDs and replaceable Light Bars ensure the system will provide years of continuous service.

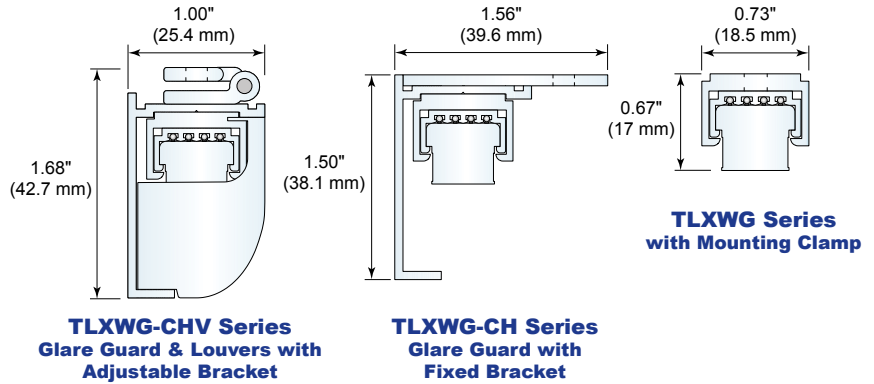
Tokilux operates from 24VDC LED drivers and dims fluidly from our dimming systems compatible with DMX or 0/1-10VDC dimming equipment.



Tokilux WG with 2700K LEDs warmly accents this mural.

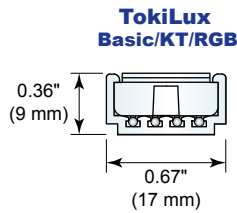
Tokilux Wall Grazer

Tokilux WG is fitted with a unique optics package making the system ideal for use as a wall-grazing luminaire. Optional channels enhance performance with a linear glare guard and parallel louvers to prevent glare from many viewing perspectives. Color temperatures include 2400, 2700 and 3000K.



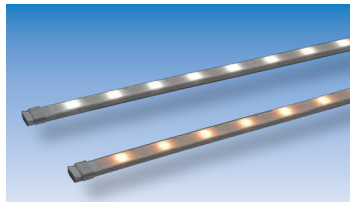
Tokilux Basic System

Tokilux Basic is the perfect fit for most projects requiring a compact profile and broad light distribution. Color temperatures of 2000, 2400, 2700, 3000 and 4500K are available to complement any interior.



Tokilux KT Kelvin Tuning

Tokilux KT has the ability to tune in a color temperature between 2400 to 4500K. You can then dim the selection to the desired brightness level.



Tokilux 4500K provides a striking backdrop.

Tokilux RGB

Tokilux RGB color changing system creates vibrant and perfectly blended color. The compact profile is ideal for use in confined spaces or as edge lighting. Our control systems are easy to program and readily changed or animated to complement any theme or environment.



Tokilux RGB uses Tri-Color LED modules to ensure a perfect blended color.

Light Veil is Tokistar's newest addition to our wall grazing systems. This unique fixture with asymmetrical optics delivers a very powerful amount of light similar to a downlight, yet with the soft and even appearance of a wall washer.

Since elements of the fixture are not always hidden from view, we've paid special attention to the outward appearances. Profiles have very refined and stylish powder coat finishes. Color temperatures include 2700, 3000 and 4000K.



A single Light Veil fixture seamlessly grazes this entire wall.



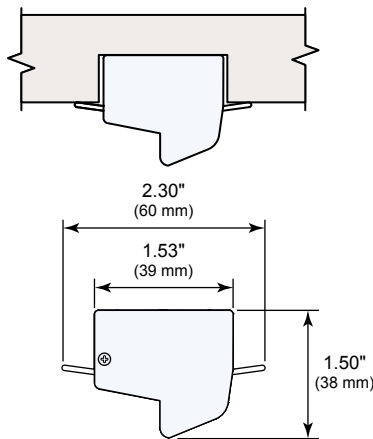
LVRS Series for direct attachment into a recessed space



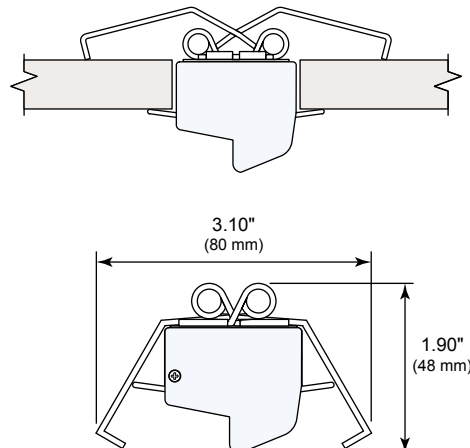
LVRH Series with hinges for ceilings with open air space above



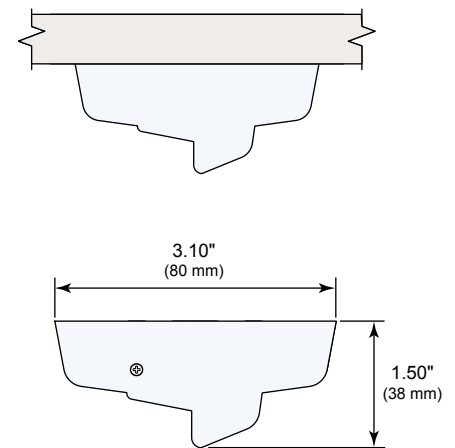
LVSM Series for surface mounting where no recess exists



LVRS Series
with End Cap

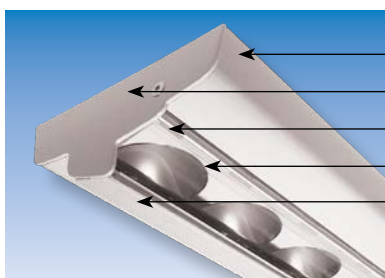


LVRH Series
with Hinge and End Cap



LVSM Series

Specifications



- **Extrusion** is Powder Coated Aluminum
- **End Caps** are Powder Coated Aluminum
- **Light Bars** are Rigid Polycarbonate 8" (200 mm) long
- **Light Sources** are 0.80 Watt LEDs (5 per Light Bar)
- **Baffle** is Powder Coated Aluminum

Tokistar's Micro Series features unique systems designed to shed light on objects and define Micro in a whole new way. Micro Spotlight, Tracklight and Downlight are available in 2700, 3000, 4000 and 5000K. Their optics package includes 16, 24 and 30 degree interchangeable lenses.

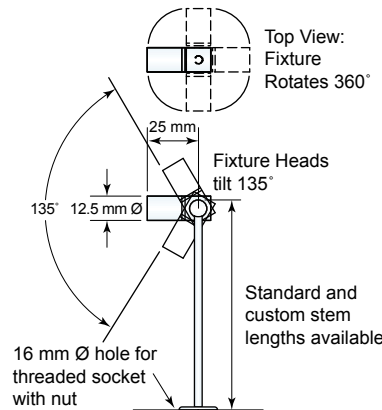
All systems operate from universal-input Class 2 power supplies and are dimmed with a PWM signal to ensure fluid and flicker-free operation at all light levels.



Micro Spotlight brilliantly accents items in these showcases.

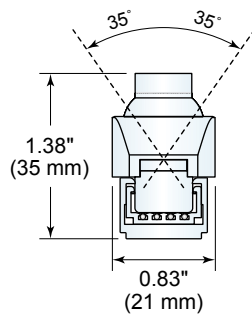
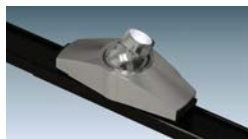
Micro Spotlight™

The quality of light and superior craftsmanship of Micro Spotlight make them ideal for highlighting fine jewelry and valuable artifacts in vitrines. Available in a silver or black finish, these slender fixtures discreetly blend into any setting.



Micro Tracklight™

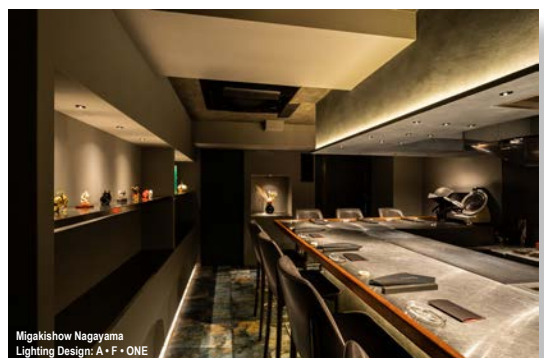
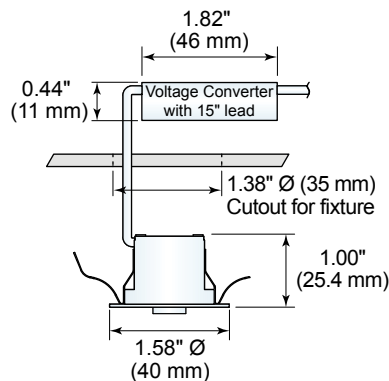
Micro Tracklight is a unique miniaturized tracklight system. LED modules with pivoting eyeballs can be positioned at any location on the track. Modules are available in a black or silver finish and include a snoot to reduce glare.



Micro Tracklight blends in to highlight luxury watches.

Micro Downlight™

Micro Downlights deliver powerful light from a very compact profile. They measure 1" tall and are installed in a 1-3/8" Ø cutout. Downlights are available in a black, white or silver finish and include a snoot to reduce glare.



Micro Downlights create stylish accents throughout this restaurant.

Micro Light Cannon™

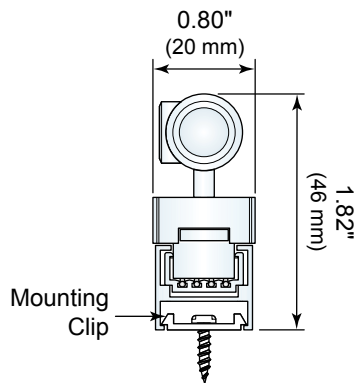
Light Cannon is the most recent addition to Tokistar's Micro Series. A refined look and 90 CRI rating makes it ideal for illuminating fine jewelry and artifacts in casework and museums.

LED modules may be positioned at any location on the track, and fixture heads can rotate and pivot to focus light precisely where needed. LED colors include 2700, 3000, 4000 and 5000K. Each 2.6 watt module may be fitted with optics of 16, 24 or 30 degree interchangeable lenses.

The system operates at 24VDC from our Class 2 LED drivers.



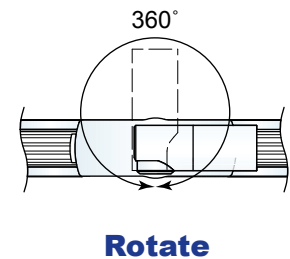
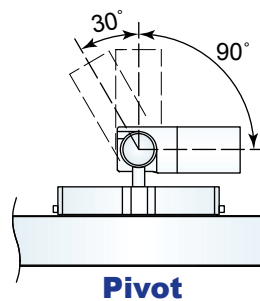
Micro Light Cannon fixtures with 3000K LEDs and a 24 degree lens illuminate this wall.



Light Distribution

All values shown are for 3000K modules.

	16 D	24 D	30 D
	119 lm	119 lm	89 lm
20" \varnothing 6"	290	\varnothing 10" 150	\varnothing 11" 86
40" \varnothing 12"	72	\varnothing 20" 37	\varnothing 22" 22
60" \varnothing 18"	32	\varnothing 30" 16	\varnothing 33" 10
80" \varnothing 24"	18	\varnothing 40" 10	\varnothing 44" 6
100" \varnothing 30"	12	\varnothing 50" 6	\varnothing 55" 4
Distance / \varnothing	Foot Candles		



Dimming

Micro Light Cannon is fully dimmable. It may be fluidly dimmed from our standard line of PWM dimming gear. It also has the unique ability to independently address each LED module on a fixture with the tap of our Magnetic Wand to the side of each module.

The last level selected is stored in memory when the fixture is turned off/on. No external dimmer is required to tap into this feature. The Magnetic Wand can also be used in conjunction with our PWM dimming gear.



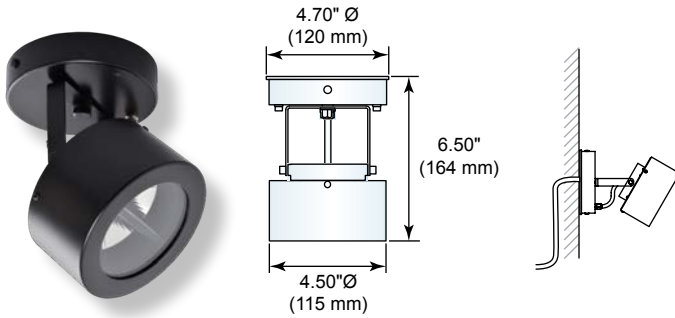
Magnetic Wand Dimming

Focal Series

Tokistar's Focal Spotlight and Focal Line are all-environment fixtures producing a very concentrated 3 degree beam of light with a glare-free reflector. Beam direction can be precisely controlled by rotating and pivoting the fixtures. Light sources are 2.1 watt LEDs operating from our dimmable 700mA LED drivers. Fixtures are Wet-Location Listed and have an IP66 rating.

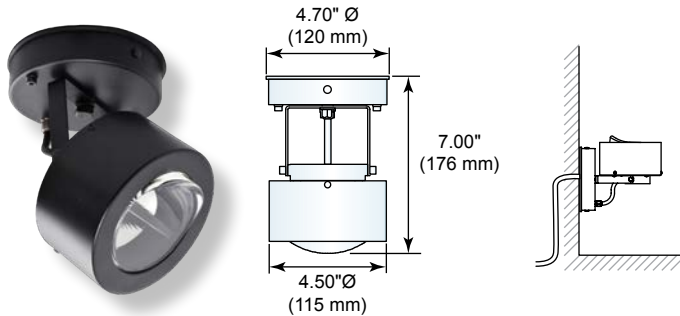
Focal Spotlight™

Focal Spotlight is used to pinpoint distant objects with a 3 degree beam of symmetrical light.

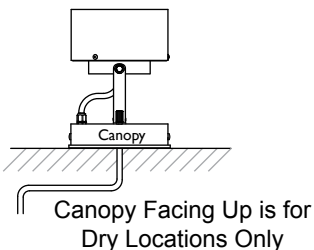
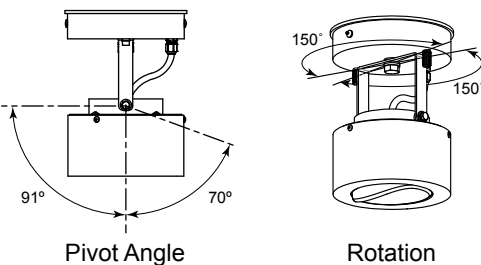


Focal Line™

Focal Line features an asymmetrical lens to cast a line of light on building facades.



Fixture Orientation



Specifications

- LED Current: 700mA (Constant Current)
- LED Power: 2.1W
- Dimming: 0-10VDC
- Focal Spotlight Cd: 30,000
- Focal Line Cd: 17,000
- Beam Angle: 3°
- Color Temperatures: 3000, 5000K
- Focal Spotlight Lumens: 3000K/73 lm, 5000K/83 lm
- Focal Line Lumens: 3000K/88 lm, 5000K/100 lm
- CRI: 80
- Enclosure Rating: IP66
- Weight: 1.7 lbs

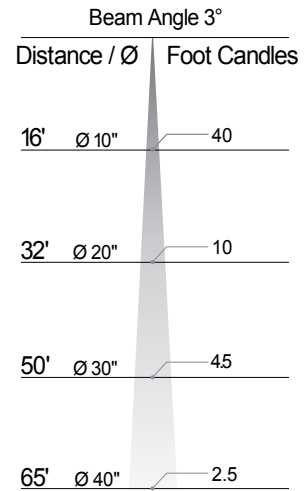
Beam Angle 3°	
Distance / Ø	Foot Candles
16' Ø 10"	112
32' Ø 20"	28
50' Ø 30"	13
65' Ø 40"	7

Values shown are for 5000K modules.

Focal SpotMini™

With the advent of LED down lights, there has been a void on how to precisely focus a concentrated beam of glare-free light on distant objects. Tokistar's Focal SpotMini is the innovative solution.

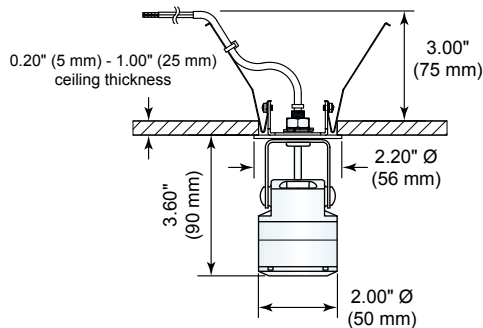
This luminaire produces a concentrated 3 degree beam of light with a glare-free reflector. Light sources are 2.1 watt LEDs. Beam direction is precisely controlled by having the ability to rotate and pivot the fixture head.



Values shown are for 3000K modules.

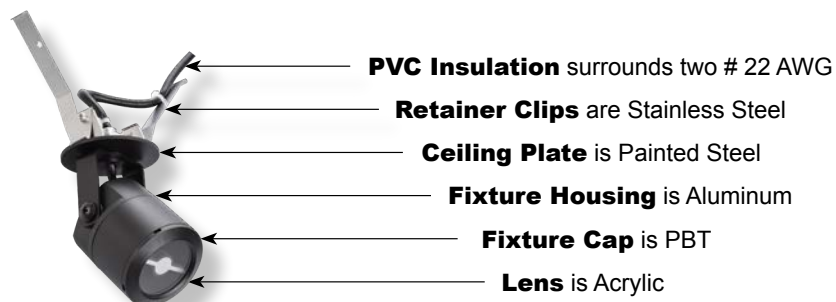
Focal SpotMini directs a 3° beam of light precisely where needed.

Specifications



LED Current: 700mA
 LED Power: 2.1W
 Dimming: 0-10VDC
 Cd: 10,800
 Beam Angle: 3°
 Color Temperatures: 2400K, 2700K, 3000K, 4000K, 5000K

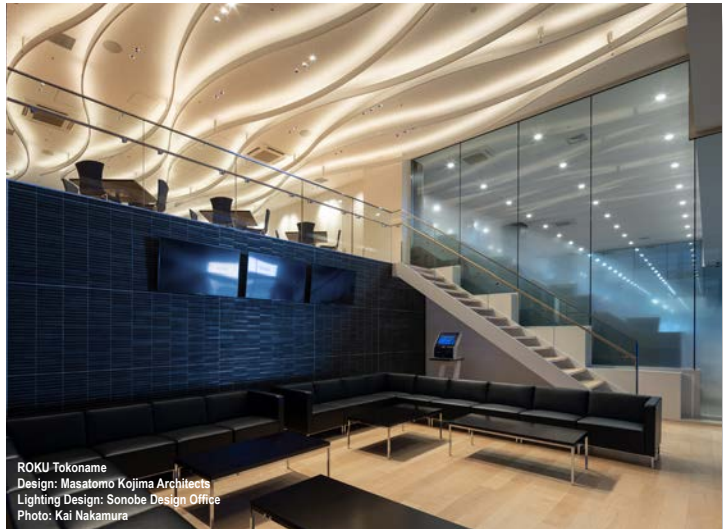
Lumens: 2400K/34 lm, 2700K/41 lm, 3000K/45 lm, 4000K/50 lm, 5000K/55 lm
 CRI: 85
 Rotation: 360°
 Pivot: 90°
 Cutout Dimension: 2" Ø
 Fixture Weight: 0.6 lbs



For 50 years Tapelight Systems by Tokistar® have provided accent lighting effects in a variety of venues.

Low-profile and highly flexible cables make Tapelight an extremely versatile product, enabling it to fit in small niches and conform to any shape.

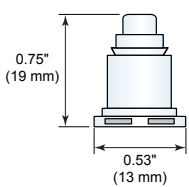
Light sources include LEDs in a variety of color temperatures, output levels and vibrant colors for single circuit and chasing.



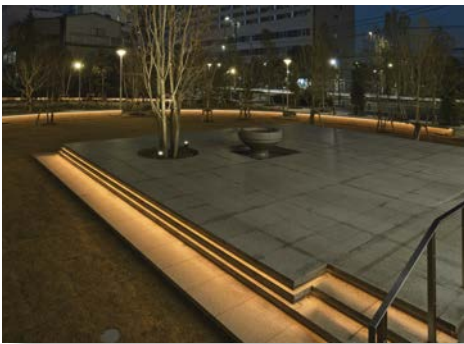
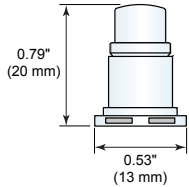
ROKU Tokoname
Design: Masatomo Kojima Architects
Lighting Design: Sonobe Design Office
Photo: Kai Nakamura

TLP Series provides interesting highlights on this lobby ceiling.

TLP/LS Series TokiLeds
0.1 & 0.2 watt



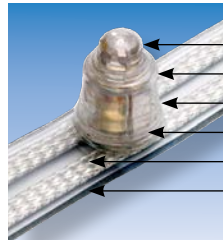
TLP/LS Series TokiLeds
0.4 watt



LS Series creates a stunning seamless glow beneath a cantilevered edge.

Specifications

Wet-Location Listed
IP65 Rated



- Light Sources** include static and Kinetic TokiLeds
- Polycarbonate Sockets** with flammability rating UL 94V-0
- Silicone Caps** provide protection in all environments
- Sockets** are soldered and ultrasonically bonded to cable
- Flexible Braided Conductors** are plated copper and rated 12 amps
- Insulation** is UV-stabilized flexible PVC with flammability rating UL 94 HB

TokiLeds / Tapelight & Lightstrings

TokiLeds are the most durable and energy efficient of all our light sources. Their unique phosphor-colored lens reflects light in all directions, resulting in full-range viewing.

White TokiLeds do an outstanding job of emulating true incandescent light. Our selection includes a variety of color temperatures and brightness levels.

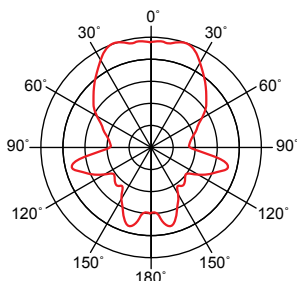
White LEDs

2000K 2400K 3000K 6500K

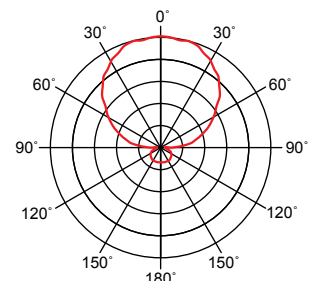


Select from a wide range of vibrant

Amber Blue Green Magenta Purple Red



0.1 & 0.2 Watt TokiLeds



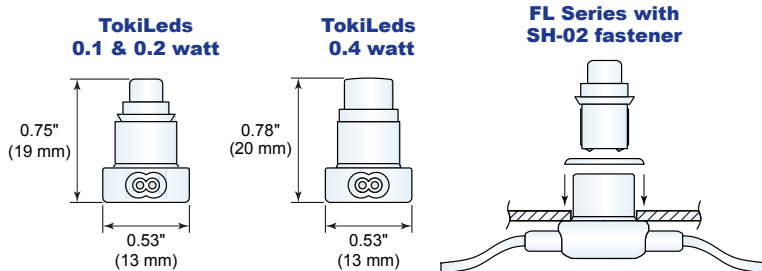
0.4 Watt TokiLeds

Tokistar Lightstrings is a system of sockets wired in parallel and permanently attached to flexible, commercial-grade cable. Light sources include energy-efficient TokiLeds with full-range viewing. Our "smart" Kinetic TokiLeds add unique animated effects.

All-weather construction ensures the integrity of installations will be maintained in all environments. For protection in wet locations, LEDs are provided with Tokistar's insulating silicone caps.



Lightstrings are wrapped around each palm tree in this coastal setting.



Kinetic cross-fading LEDs behind blue translucent panels create a striking display.

Specifications

**Wet-Location Listed
IP65 Rated**



- ← **Light Sources** include static and Kinetic TokiLeds
- ← **Silicone Caps** provide protection in all environments
- ← **Polycarbonate Sockets** with flammability rating UL 94V-0
- ← **Flexible Conductors** are plated #18 AWG
- ← **Sockets** are soldered and permanently sealed to cable
- ← **Insulation** is flexible PVC with flammability rating UL 94 HB

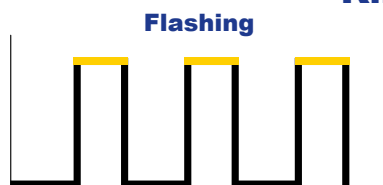
Kinetic TokiLeds / Tapelight & Lightstrings

Kinetic TokiLeds are for use with both Lightstrings and Tapelight Systems, they include a microchip to create self-actuated flashing or cross-fading effects. Each LED operates independently for a totally random appearance.

These LEDs do not require a controller, adding to the system's cost efficiency and reliability. TokiLeds may be mixed with Kinetic TokiLeds on the same fixture to create a background of static light.



Kinetic LEDs



For twinkling effects, the cycle is 0.5 Hz. Faster scintillating effects have a cycle of 4 Hz.



Cross-Fading LEDs smoothly ramp up to full brightness, then gradually fade to off.

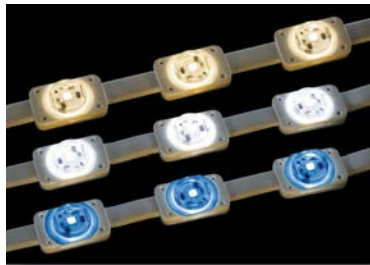
Tokilum

Tokilum is used to provide a continuous wash of light on building facades, step-risers and many other architectural features. Options include 2"/50mm or 4"/100mm spacing with 3000, 6500K and blue LEDs.

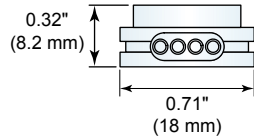
Tokilum features LED modules tightly sealed within an IP66 rated all-environment package, and permanently fixed to a flexible cable. This low profile system generates very little heat, and is Wet-Location Listed.



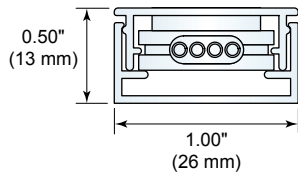
Indirect Tokilum 6500K highlights the entrance to this building.



Tokilum Series



Tokilum Channel



An attention getting display of Tokilum accents this store exterior.

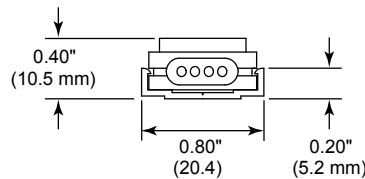
Tokilum / Trillium Accessories

Fixtures can be surface mounted to structures using our mounting track, panel fasteners or clamps.

Mounting Track

Part #: TRI-MT

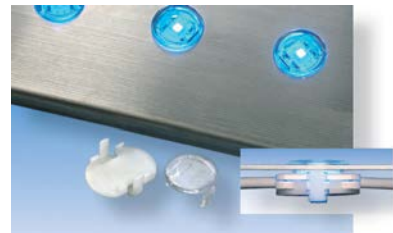
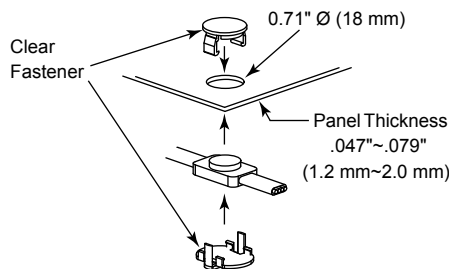
LED modules snap into a semi-rigid track. The track is fastened with screws, hi-bond adhesive tape or construction adhesive.



Panel Fasteners

Part #: TRI-PF

Fixtures are easily incorporated into display panels and signs with our panel fasteners. The LED module is inserted from behind, concealing all wiring.



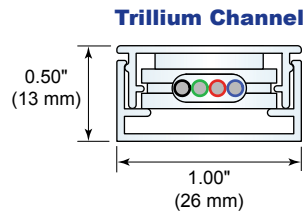
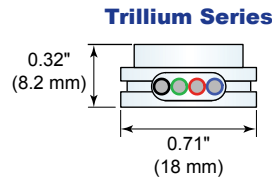
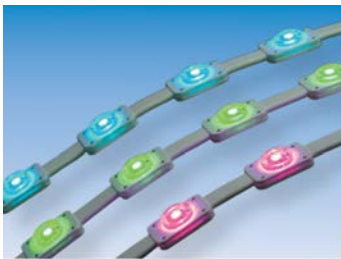
Trillium

Trillium uses Tri-Color LEDs to produce vibrant and perfectly blended color whether the LED is viewed directly, casting light on a reflective surface or used to backlight translucent material.

LED modules are tightly sealed in an IP66 rated all-environment package and permanently fixed to a highly flexible cable. An optional aluminum channel is available to conceal the conductor in visible applications. Trillium is Wet-Location listed.



Vibrant RGB color animates this restaurant ceiling.

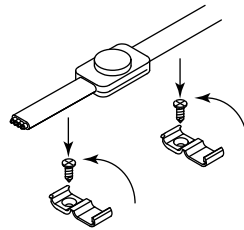


Indirect Trillium seamlessly blends from one color to the next.

Mounting Clamps

Part #: TRI-MC

For maximum flexibility, fixtures can be attached with clamps. Each clamp is fastened with a screw concealed behind the fixture.



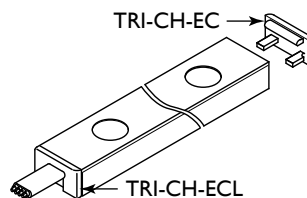
End Caps

Part #: TRI-CH-ECL

Feed End Cap

Part #: TRI-CH-EC

Dead End Cap



TokiLinear

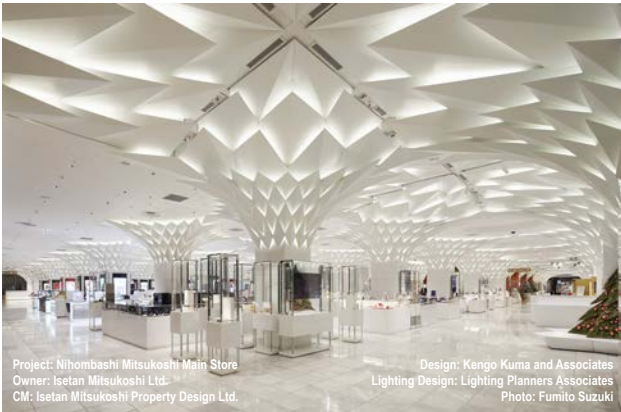
TokiLinear provides soft and uniform illumination. The compact profile is easily incorporated into confined spaces for both indirect and visible applications.

Color temperatures of 2500, 2700, 3000 and 4000K complement any interior scheme. Fixtures are powered from 24VDC LED drivers and may be dimmed fluidly from our control gear.



ATAMI RESIDENCE
Design: Sumitomo Forestry Co., Ltd.
Lighting Design: LIGHT GRAFFITI

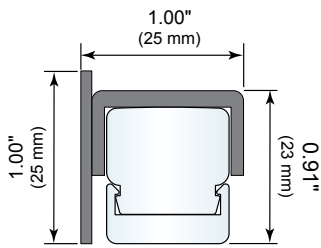
TokiLinear's compact profile fits neatly into confined spaces with stunning results.



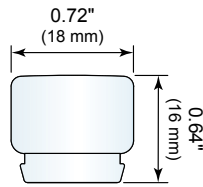
Project: Nihombashi Mitsukoshi Main Store
Owner: Isetan Mitsukoshi Ltd.
CM: Isetan Mitsukoshi Property Design Ltd.
Design: Kengo Kuma and Associates
Lighting Design: Lighting Planners Associates
Photo: Fumito Suzuki

TokiLinear provides seamless highlights in this elegant setting.

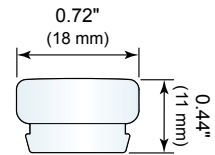
A diffused lens is for visible, or indirect applications to eliminate points of light on reflective surfaces. The translucent lens has a lower profile and produces more light for indirect applications. Our Ninja Louvers have a vertical baffle to block light from the side and a series of fine blades to minimize glare.



Diffused Lens with Ninja Louver and Standard Mounting Clamp



Diffused Lens



Translucent Lens

TokiLinear RGB also operates from 24VDC Class 2 LED drivers. Our control systems are easy to program and readily changed or animated to complement any theme or environment.



TokiLinear RGB incorporates RGB LEDs into the same profiles as standard TokiLinear. Tri-Color LEDs produce perfectly blended and vibrant color.

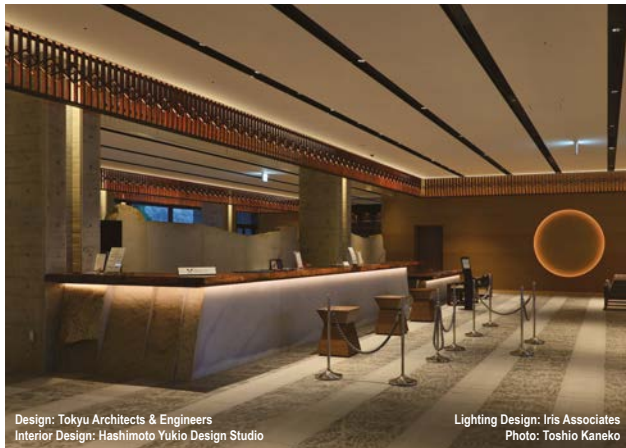
Cable Lighting

Tokistar Cable Lighting Systems are compact luminaires easily incorporated into confined spaces for soft and uniform illumination. They are also popular for highlighting architectural details with points of light.

Cable Lighting offers an assortment of energy-efficient LEDs in 2000K, 2500K, 2700K, 3000K, 5000K and four other vibrant colors. LEDs are easily replaced and fixtures can be trimmed to a precise length on site.



CT Series with 2500K LEDs provides just the right accent to this bar counter



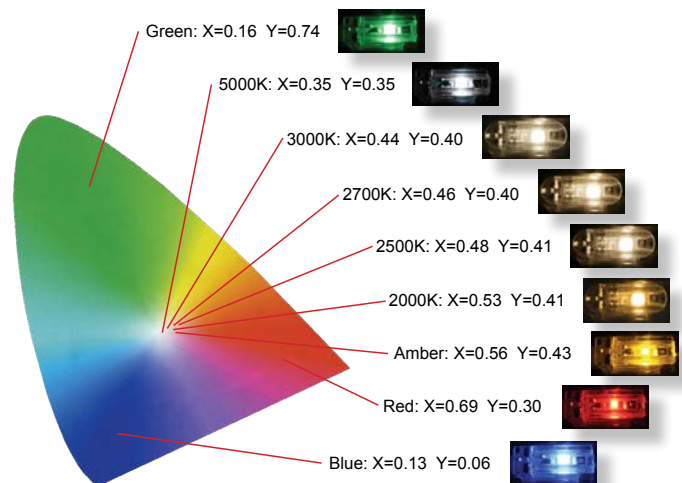
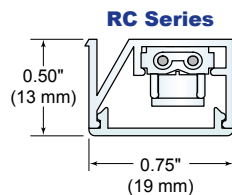
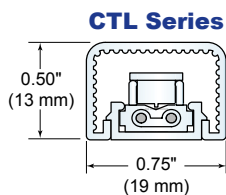
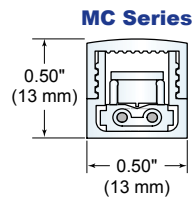
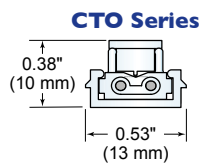
Design: Tokyu Architects & Engineers
Interior Design: Hashimoto Yukio Design Studio

Lighting Design: Iris Associates
Photo: Toshio Kaneko

Cable Lighting with 2500K LEDs warmly accents the front of this reception desk.



Recessed MC Series provides a perfectly linear lighting display on the face of display cases.



Selection Guide

Restaurants

Hotels

Shopping Malls

Resorts

Casinos

Cabinetry

Showcase

Amusement Parks

Theatres

Residential

Signs and Displays

Millwork

Museums

City Walks

Exhibits

Hospitality

Point of Purchase

Retail Stores

Cruise Lines

Entertainment

Nightclubs

Stage/Theatrical



TOKISTAR® LIGHTING INC.

1015 E. Discovery Lane • Anaheim, CA 92801

Tel: 714.772.7005 • Fax: 714.772.7014 • Toll free in USA: 877.340.7633

Email: info@tokistar.com • Website: www.tokistar.com