

5372 EVICA EP20+

evica™

TECHNICAL DETAILS

- Evica EP20 20W Convection Cooled Effects Projection System
- Light Source: Fidelity FDXXC020
- Supply Current: 700mA
- Forward Voltage: 28.4V
- Housing: Anodised Aluminium
- Finish: Anodised
- Weight: 1.3Kg
- Control: 0-10V or DALI
- Driver: Encased in IP66 box for exterior use and without for interior use.
- Gobo: 37.5mm (24mm Active area)
- LED Lifetime (L70): >43,000 hrs Ta 25°C



EXAMPLE SPECIFICATION

537212-930-W-12A

EP20+ Convection Cooled 20W Gobo Projector, Exterior IP65 + Stirrup Mount & hood, Gallery White 3000K 98 CRI LED 700mA (Max), Wide Beam Angle (23.4°), Surface Mount, Black Anodised Finish.

PRODUCT CODE EXAMPLE: 5372 1 2 - 930 - W - 1 2A

STYLE	Gobo	
Code	1	
IP RATING + MOUNT OPTION	Interior IP40 + Stirrup Mount	Exterior IP65 + Stirrup Mount & Hood
Code	1	2

LED COLOUR	Gallery White 3000K 98+ CRI	Gallery White 3000K 80+ CRI	Cool White 5600K 80+ CRI	Daylight White 6500K 80+ CRI
EP20+ Source Lumens	794lm	913lm	1610lm	2013lm
Code	930	830	856	865

BEAM ANGLE	Narrow Angle Lens	Medium Angle Lens	Wide Angle Lens
GOBO Beam Angle	14°	20.1°	23.4°
Code	N	M	W

MOUNT VARIANT	Stirrup Only	Stirrup with Surface Mount
Code	0	1

NB. For other mount options specify type 0 and list mount separately

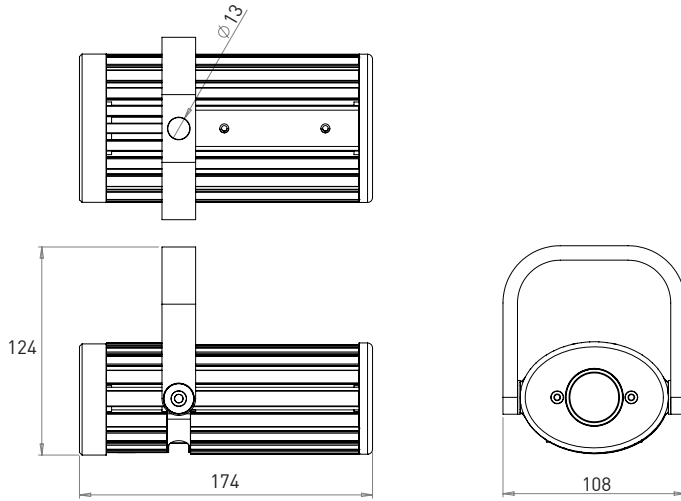
HOUSING FINISH	Black Anodised RAL 9005*	Custom RAL Powder Coated	Black Hard Anodised**	Anthracite Anodised RAL 7038*	Silver Anodised RAL 9006*
Code	2A	3	5	5E	9

* Anodised finishes indicate approximate RAL colour match.

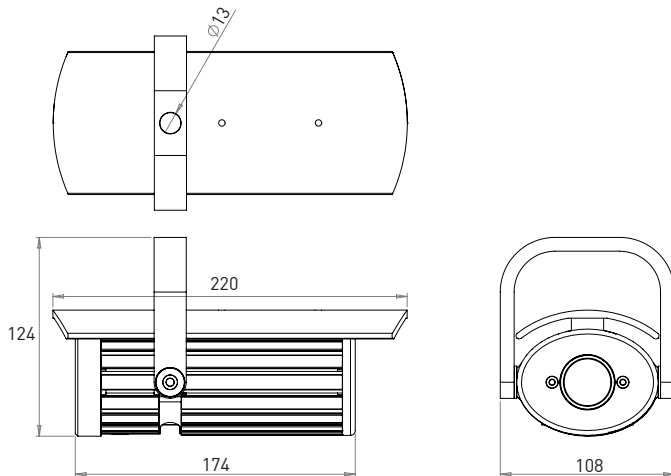
** Hard anodised finish is recommend for harsh environments.

5372 EVICA EP20+

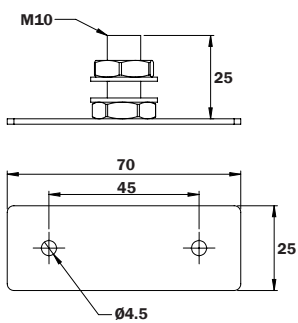
INTERIOR PROJECTOR DIMENSIONS WITH STIRRUP



EXTERIOR PROJECTOR DIMENSIONS WITH STIRRUP AND HOOD



SURFACE MOUNT ASSEMBLY FOR STIRRUP MOUNT OPTION



DRIVERS

GEAR OPTION	CODE	
	INTERIOR	EXTERIOR
20W 700mA 0/1-10V Dim	537219-311	537219-312
20W 700mA DALI Dim	537219-331	537219-332

ACCESSORIES

General Accessories and Spares	CODE
Replacement Narrow Lens	537219-10
Replacement Medium Lens	537219-11
Replacement Wide Angle Lens	537219-12
Gobo Cassette	537219-01-X
Compression Ring for Gobo Cassette	537219-02
Torx Wrench	537219-59
Safety Bond	537219-58
Focus Tool	537219-57

Mount Accessories	Code
M10 Surface	537219-52-2
M10 Tree Strap	537219-53-2

X - select colour as per the specification table on page 2.

M10 TREE STRAP

