

453301000 LEDSTAR ULTIMATE MAXI NARROW SPOTLIGHT



TECHNICAL DETAILS

- Exterior/Interior LED Spotlight
- Light Source: CREE CXB 1310 PRO9 COB LED (2 SDCM Binning)
- Supply Current: 1050mA Max
- Housing: Anodised Aluminium
- Finish: Anodised or PTFE Coating
- Supplied Cable: 3m 2-Core 0.75mm A05RN-F Rubber
- Cover Lens: 5mm Toughened Glass
- LED Lifetime (L90): >66,000 hrs Ta 25°C 1050mA / >55,000 hrs Ta 45°C 700mA
- Weight: 1.7kg

IP67 Class 3

EXAMPLE SPECIFICATION

453301010-927-12-2

LEDStar Maxi CREE CXB Narrow Spotlight with Standard Stirrup Half Tube Cowl, Fixed 3m Cable, High CRI, Incandescent White 2700K, 9° Beam Angle, PTFE Black RAL 9011 Finish

PRODUCT CODE EXAMPLE: 4533 0 10 1 0 - 927 - 9 - 2

STIRRUP TYPE	Standard	Window Reveal	Extended
Code	0	1	2
FRONT TYPE	Without Cowl	With Half Tube Cowl	With Full Tube Cowl
Code	0	1	2
CABLE TYPE	Fixed Cable	IP68 Connector + Cable	
Code	0	1	

LED SOURCE LUMENS MEASURED WITH Tj=85°C

COLOUR	CCT (K)	CRI	LUMEN OUTPUT			Code
			350mA (lm)	700mA (lm)	1050mA (lm)	
Amber White*	2200	80+	704	1105	1563	822
Incandescent White	2700	90+	754	1426	1941	927
Warm White	3000	90+	786	1485	2022	930
Cool White	4000	90+	814	1539	2095	940

BEAM	9° Extra Narrow
Code	9

FINISH	PTFE White RAL 9016	PTFE Black RAL 9011	Special RAL/BS	Black Anodised	Hard Anodised	Bronze Anodised	Satin Silver Anodised
Code	1	2	3	2A	5	5C	9

*Amber White 2200K has 3 Step Binning

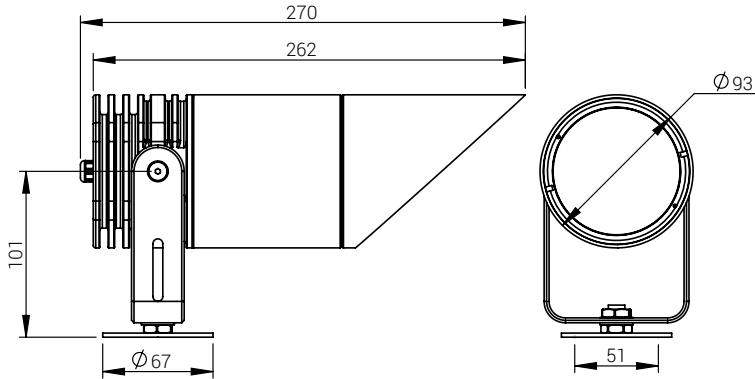
SPOTLIGHT LED POWER

POWER (W)	350mA	700mA	1050mA
Power	5.6W	11.5W	17.7W
Forward Voltage	16V	16.5V	16.9V

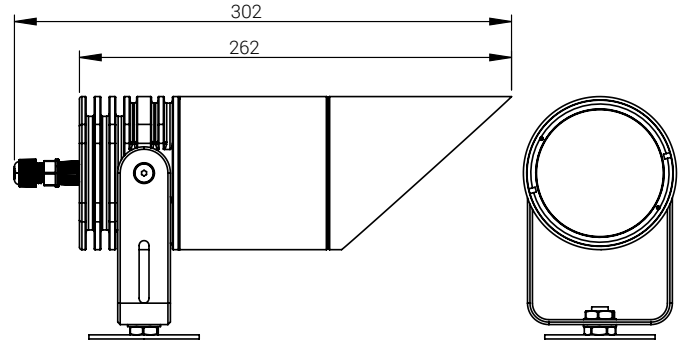
The performance of high power LEDs is continually developing. Light Projects offers the best performance LEDs available. Enquire for currently available lumen packages.

453301000 LEDSTAR ULTIMATE MAXI NARROW SPOTLIGHT

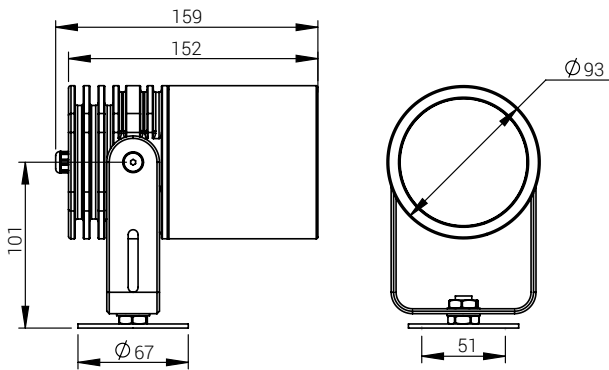
**COWL + FIXED CABLE OPTION
WITH M10 CABLE GLAND DIMENSIONS**



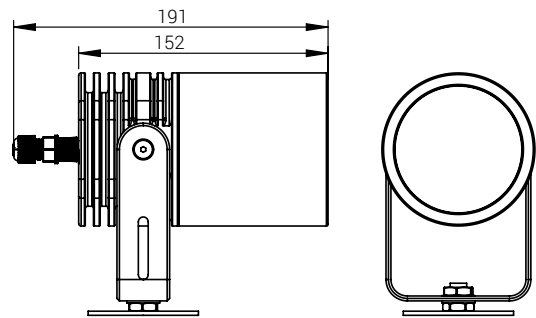
**COWL + REMOVEABLE OPTION
WITH M16 IP68 CONNECTOR + CABLE DIMENSIONS**



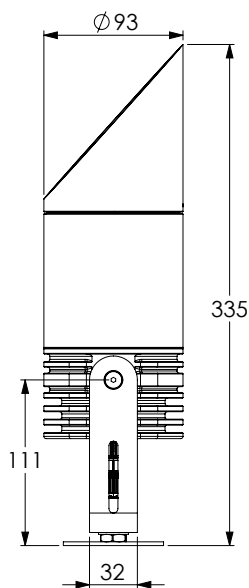
**NO COWL + FIXED CABLE OPTION
WITH M10 CABLE GLAND DIMENSIONS**



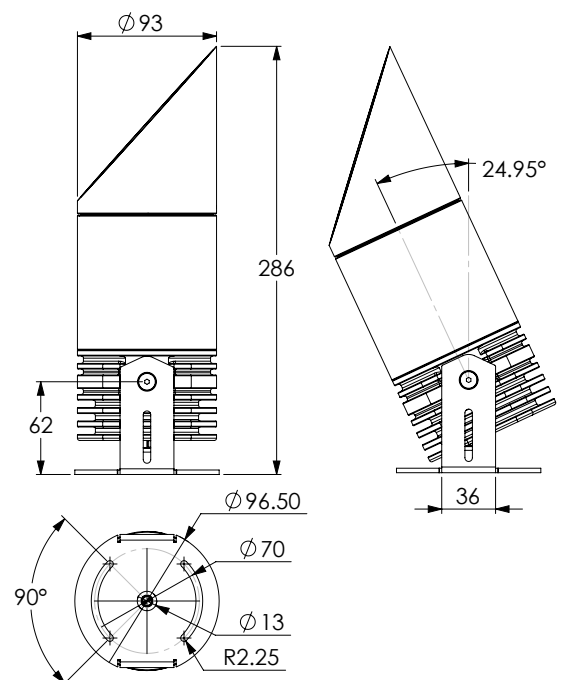
**NO COWL + REMOVEABLE OPTION
WITH M16 IP68 CONNECTOR + CABLE DIMENSIONS**



**COWL + PLUG IN CABLE OPTION
WITH EXTENDED STIRRUP DIMENSIONS**



**COWL + FIXED CABLE OPTION
WITH WINDOW REVEAL STIRRUP DIMENSIONS**



Light Projects specifications are liable to be changed without notice.

SELECTION OF ACCESSORIES FOR LEDSTAR MAXI

Half Tube Cowl	247-1927-f
Full Tube Cowl	247-1928-f
Tree Strap	247-0140-2
Ground Spike 200mm	247-0141-2
14° Optic	247-2262-14
20° Optic	247-2262-20
31° Optic	247-2262-31
70° Diffuser for front cap	247-2261-70
20°/20° Diffuser + Clip	247-2260-20T
Spread Diffuser + Clip	247-2260-LS
LED Cable Connector (IP67)	450041-1
Honeycomb Louvre	247-1921-2
'C' Spring	247-1906
Coloured Dichroic Glass	247-1915-xxx

Will accept limited range of Accessory Glasses.

Contact us for details.

f = Finish code to match housing material

[Please click here for LEDStar Accessories sheet with full details and additional options](#)

DRIVERS

A comprehensive range of remote Drivers is available for LEDStar Maxi Spotlight.

Drive currents: 350mA, 700mA and 1050mA

Dimming options: Switch, Phase, 1-10V and DALI

Available in IP20 or IP66 Housing

[Please click here for LEDStar Driver sheet with full product offering and loading details](#)

Additional options for DMX and Casambi control available on request.

Emergency versions with kits available on request for project specific specifications

FACTORY FITTED OPTIONS

LED factory fitted extension cable 450043(m)

m=CableLength