

Comfort Glow Exceptional Downlights



Unique Wall Wash Downlighters that create linear effects.

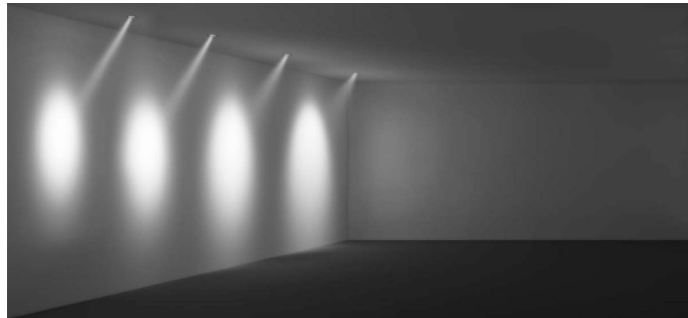
Comfort Glow

Comfort Glow is a superior range of down lighters designed with a specific aim of being ultra low glare (UGR.13). They utilise high performance Bridgelux LEDs with strict colour control for the more discerning environments.

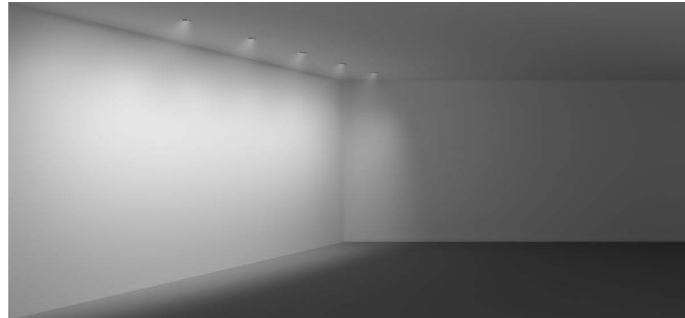
The range is available in two formats (square and round) and two families initially, a Tilt range and a Wall Wash.

Our new Wall Washers break the mould with their spectacular lenticular reflector formation. This very special design allows you to create a horizontal line of light with a crisp cut off on walls. Previously Wall Washers created a "scalloped" light effect, as our current Tilt range does. This effect is well known and loved by designers. However, now with this new reflector you can create a stunning linear effect.

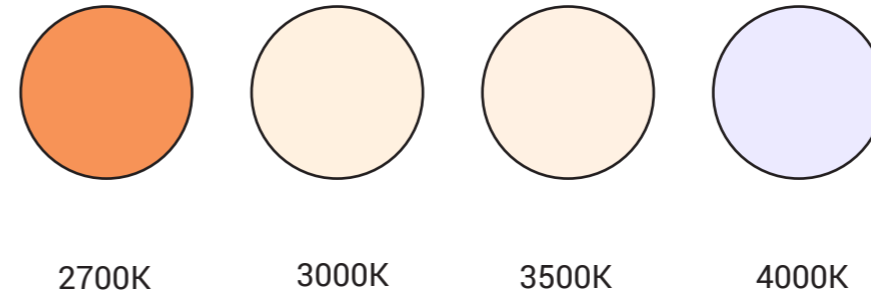
Tilt Downlighters



Linear Wall Wash Downlighters



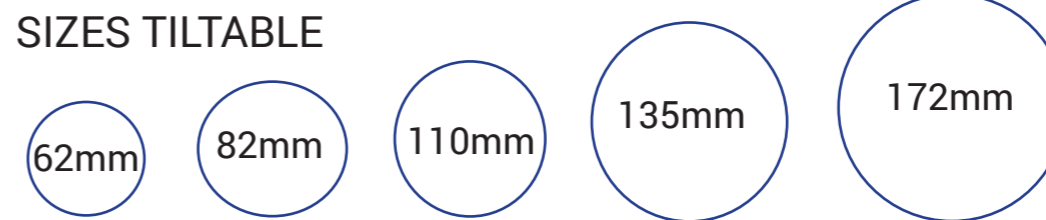
LED COLOURS



SIZES WALLWASH



SIZES TILTABLE



FEATURES

The Light Projects Comfort Glow range combines sleek design with more dynamic lighting effects from its special reflectors.

- White LED's in 2700K, 3000K, 3500K and 4000K in three CRI choices 80+, 90+, 95+
- Single colour LEDs
- Square or Round designs
- Tilt or Wall Wash options
- Powered from Constant Voltage Drivers which are available in a wide range of power and dimming options to precisely tune the output
- Lenticular Reflector creates horizontal line of light to perfectly frame a rectangular wall



Comfort Glow

Tilt Range

Introducing our anti-glare architectural lighting solutions designed with an ultra-wide beam angle while ensuring $UGR < 13$. Perfect for creating comfortable lighting environments in various settings. With power options ranging from 8W to 45W, these lights are ideal for ceiling heights from 2m to 10m, making them suitable for hotels, villas, and more.

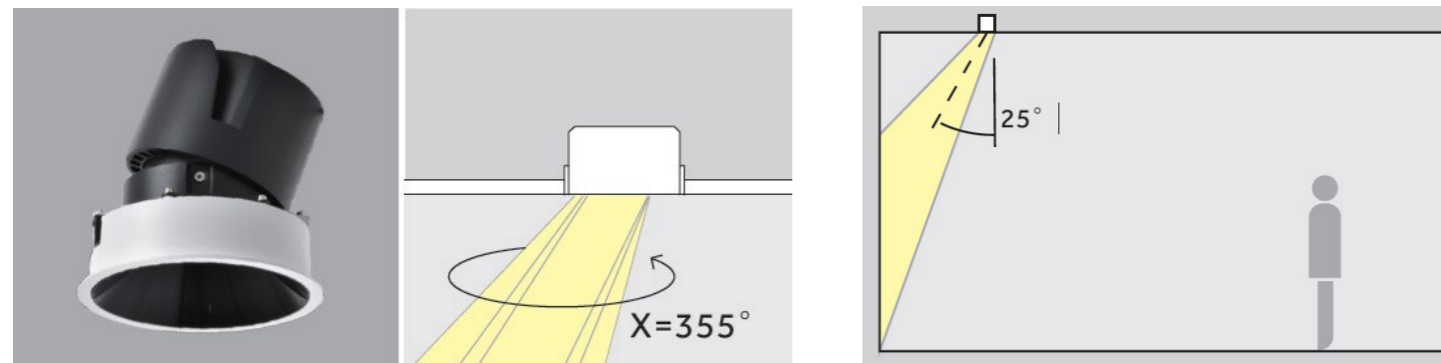


They are very discrete and produce very little glare with a variety of trim finishes. Each size comes in both circular and square trims.



Adjustable downlights that allows objects or architectural

Ideal Angle of Tilt
 Model Size 62/82/110mm = 25°
 Model Size 135/172mm = 20°

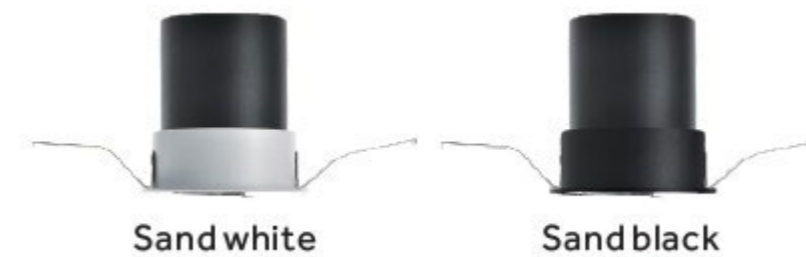


Wall Washer Range

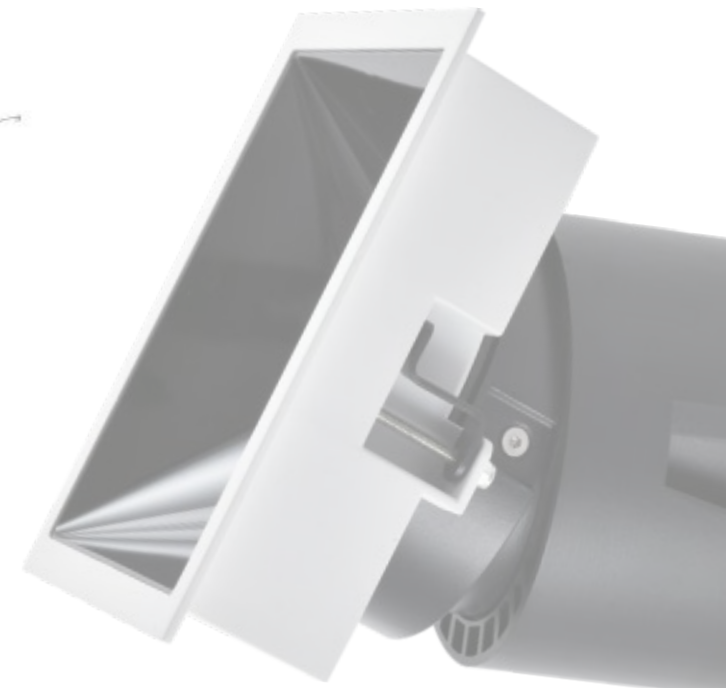
ComfortGlow Wall Wash downlights uses a very unique lenticular reflector which allows to create seamless coverage across most office, residential and retail walls.

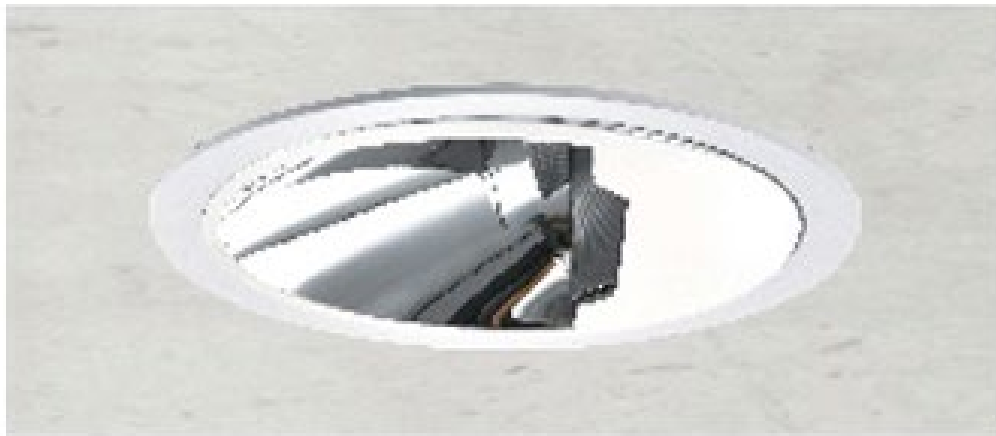
They are very discrete and produce very little glare and when installed correctly deliver a uniform distribution across a wall as illustrated in the render on the right.

The range has 3 different sizes which output between 305 and 1580lm. Drivers are available in Casambi, DALI, 1-10V, Phase and Non Dimmable options.



IP20 CE Class 2 □ ◐ 0.5m | F ⚡ Dimmable Options





LIGHT PROJECTS

23 Jacob Street
London
SE1 2BG

Tel 020 7231 8282
info@lightprojects.co.uk
www.lightprojects.co.uk