

453303001 LEDSTAR MAXI RGBW SPOTLIGHT



TECHNICAL DETAILS

- Exterior/Interior LED Spotlight
- Light Source: OSRAM LED ENGIN LuxiGen®, LZP-00MD00
- Supply Current: 450mA Max per Channel
- Housing: Anodised Aluminium
- Finish: Anodised or PTFE Coating
- Supplied Cable: 3m 8-Core 0.5mm² UL2464 PVC (UV Resistant)
- Cover Lens: 5mm Toughened Glass
- LED Lifetime (L70): >54,000 hrs Ta 25°C
- Weight: 1.7kg

IP67 Class 3



EXAMPLE SPECIFICATION

453303011-RGBCW-18-2

LEDStar Maxi RGBW Spotlight with Standard Stirrup and Half Tube Cowl, IP68 Plug In Cable, RGB + Cool White (6500K) LED, 18° Beam Angle, PTFE Black RAL 9011 Finish

PRODUCT CODE EXAMPLE: 4533 0 30 1 1 - RGBCW - 18 - 2

STIRRUP TYPE	Standard	Extended	
Code	0	2	
FRONT TYPE	Without Cowl	With Half Tube Cowl	With Full Tube Cowl
Code	0	1	2
CABLE TYPE	Fixed Cable	IP68 Connector + Cable	
Code	0	1	

LED SOURCE LUMENS MEASURED WITH T_j=85°C

COLOUR	CHANNEL	CRI	LUMEN OUTPUT	Code
			450mA (lm)	
RGB + COOL WHITE	RED	NA	611	RGBCW
	GREEN	NA	1275	
	BLUE	NA	273	
	COOL WHITE 6500K	75	1372	

BEAM	18° Narrow	25° Medium	70° Indicator	20°/20° Tilt
Code	18	25	70	20T

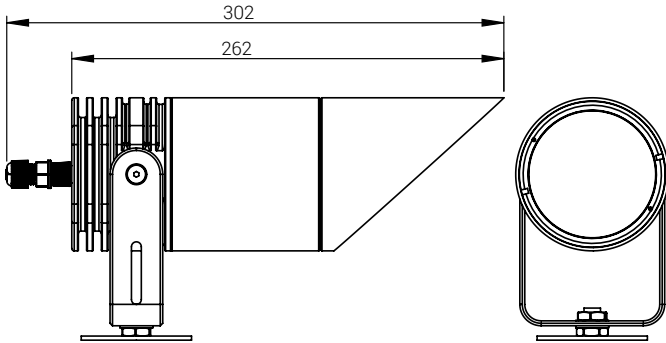
FINISH	PTFE White RAL 9016	PTFE Black RAL 9011	Special RAL/BS	Black Anodised	Hard Anodised	Bronze Anodised	Satin Silver Anodised
Code	1	2	3	2A	5	5C	9

LED POWER

POWER (W)	450mA				
	Red	Green	Blue	White	Total
Power	6.1W	7.1W	7.8W	10.1W	31.1W
Forward Voltage	13.5V	15.8V	17.4V	22.5V	53.4V

The performance of high power LEDs is continually developing. Light Projects offers the best performance LEDs available. Enquire for currently available lumen packages.

**COWL + REMOVEABLE OPTION
WITH M16 IP68 CONNECTOR + CABLE DIMENSIONS**



SELECTION OF ACCESSORIES FOR LEDSTAR MAXI

Half Tube Cowl	247-1927-f
Full Tube Cowl	247-1928-f
Tree Strap	247-0140-2
Ground Spike 200mm	247-0141-2
18° Optic	247-1963-18
25° Optic	247-1963-25
70° Diffuser	247-1961-70
20°/20° Diffuser	247-1961-20T
Loose Linear Spread Diffuser	247-1961-LS
LED Cable Connector (IP67)	450041-1
Honeycomb Louvre	247-1921-2
'C' Spring	247-1906
Coloured Dichroic Glass	247-1915-xxx

Will accept limited range of Accessory Glasses.
Contact us for details.
f = Finish code to match housing material

[Please click here for LEDStar Accessories sheet with full details and additional options](#)

DRIVERS

A comprehensive range of remote Drivers is available for LEDStar Maxi RGBW Spotlight.

Drive current: 450mA

Dimming options: DMX, DALI and Casambi

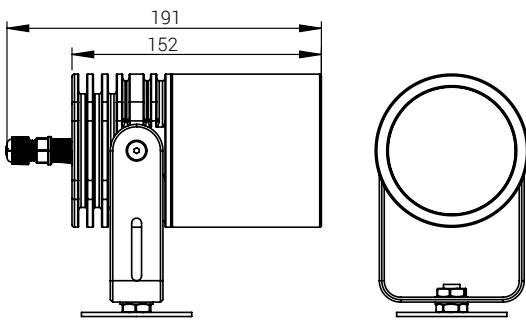
Available in IP20 or IP66 Housing

[Please click here for LEDStar Driver sheet with full product offering and loading details](#)

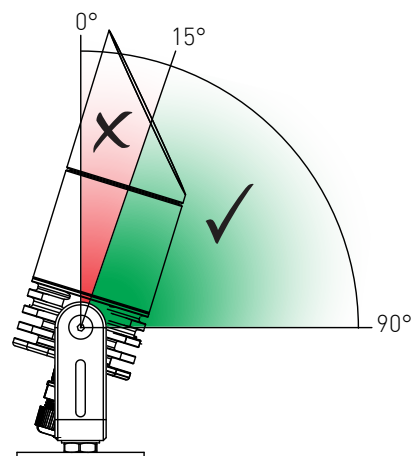
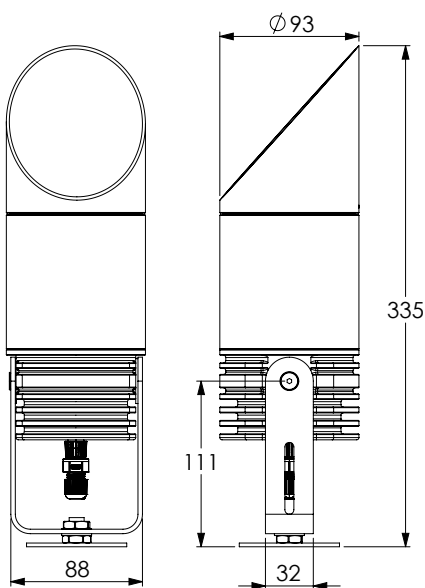
Emergency versions with kits available on request for project specific specifications

USE OF STANDARD STIRRUP WITH ALTERNATIVE CABLE OPTIONS

**NO COWL + REMOVEABLE OPTION
WITH M16 IP68 CONNECTOR + CABLE DIMENSIONS**



**COWL + PLUG IN CABLE OPTION
WITH EXTENDED STIRRUP DIMENSIONS**



When using the standard stirrup with the Plug-In cable, the closest upward angle achievable is 15° off centre. If a more vertical orientation is required, please use the extended stirrup option.