

5800200-8A INFINITY FRAMING & GOBO INVISITRACK

TECHNICAL DETAILS

- Infinity Track Spotlight on InvisiTrack Adapter
- Light Source: Bridgelux Gen 8 V4 HD LED COB (3 SDCM Binning)
- Adjustability: Continuous 360° rotation on two axes
- Mounting: 3 Circuit Track Adapter (See page 2 for compatible tracks)
- Supply: 230/240V 50-60Hz
- Housing: Anodised Aluminium
- Finish: Polyester Powder Coat
- Cover: Magnetic Accessory Holder
- LED Lifetime (L90): 50,000hrs
- Weight: 0.6kg



EXAMPLE SPECIFICATION

5800205-9027-FZ-8AB2

Infinity Framing Lens Spotlight on InvisiTrack Adapter, DALI Dimmable, 90+ CRI, Incandescent White 2700K, Framing Zoom 18°-35° Beam Angle, PTFE Black RAL 9011 Finish

PRODUCT CODE EXAMPLE: 580020 **5** - **9027** - **FZ** - **8AB** **2**

DIMMING	Switch	Self Dim	DALI 6 Conductor	DALI 4 Conductor
Code	1	3	5	5
Code	8AB	8AB	8AB	8AC

SOURCE LUMENS

COLOUR	CCT (K)	CRI	LUMEN OUTPUT	Code
			250mA (lm)	
Incandescent White	2700	97+	928	9727
		90+	1087	9027
		80+	1269	8027
Warm White	3000	97+	897	9730
		90+	1051	9030
		80+	1227	8030
Cool White	4000	97+	1012	9740
		90+	1186	9040
		80+	1385	8040

BEAM	18°-35° Framing Zoom	55° Framing Fixed
Code	FZ	F55

FINISH	White (RAL 9016)	Black (RAL 9011)	Special (RAL / BS)
Code	1	2	3

SPOTLIGHT LED POWER

POWER (W)	250mA
Power	9.6W
Forward Voltage	38.5V

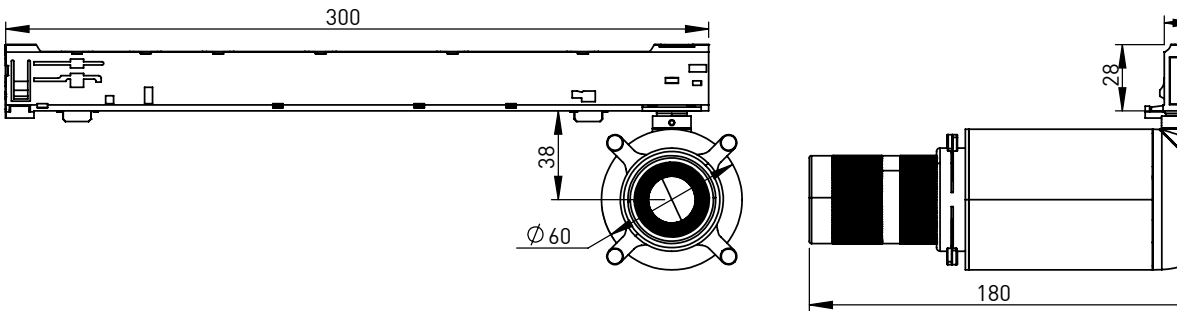
PHOTOMETRIC DATA

CRI	80+	90+	97+
Output Lumens (lm)	495	424	362
Candela (cd)	5756	4950	4231

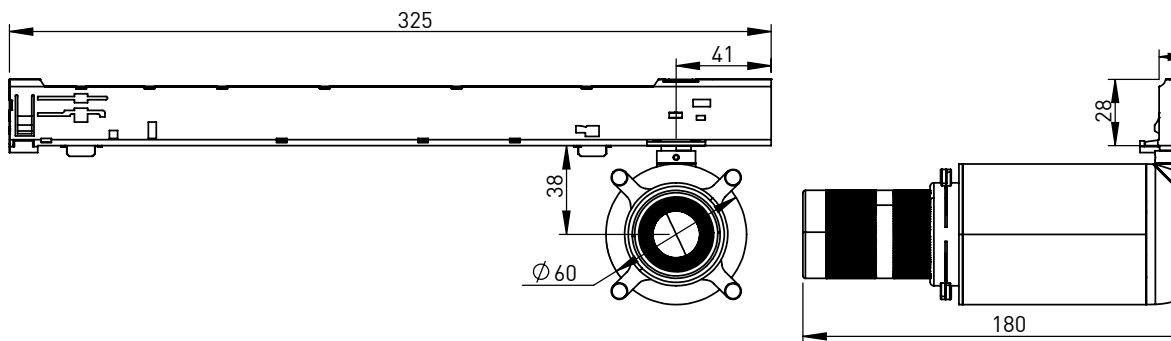
Example Data of 3000K COB with Zoom Lens at 18°
Photometric Data, IES & LDT files available at www.lightprojects.co.uk

5800200-8A INFINITY FRAMING & GOBO INVISITRACK

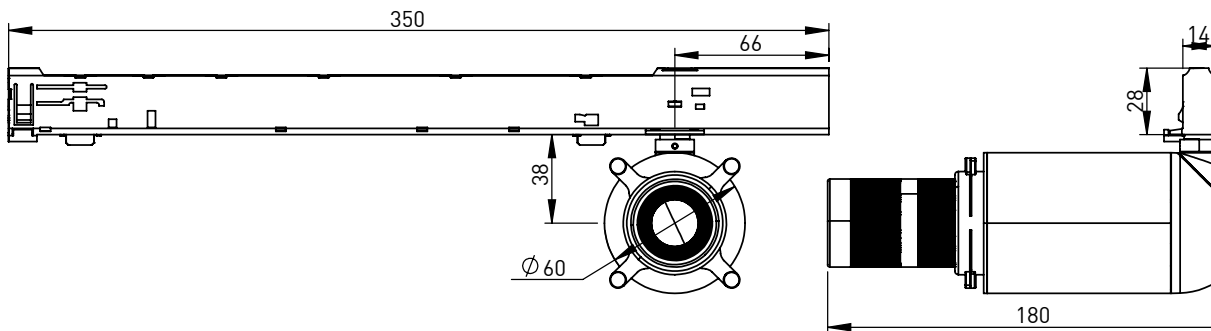
NON DIM OPTION xxxxxx 1 - xxxx - x - 8AB x



DALI DIM (4 CONDUCTOR EUTRAC) OPTION xxxxxx 5 - xxxx - x - 8AC x



DALI DIM (6 CONDUCTOR) / SELF DIM OPTION xxxxxx 5 - xxxx - x - 8AB x / xxxxxx 3 - xxxx - x - 8AB x



OPTIONAL GOBO IS INSERTED IN REAR OF LENS ASSEMBLY



CASAMBI GATEWAY

The InviTrack Casambi Gateway is a DALI master device, suitable for monomaster applications. It is developed to control DALI luminaires via mobile devices, using Bluetooth technology and the Casambi app. One gateway enables programming and control of up to 64 luminaires (control gear), assigned to up to 8 groups. This is an easy, efficient and virtually invisible way to get wireless control.

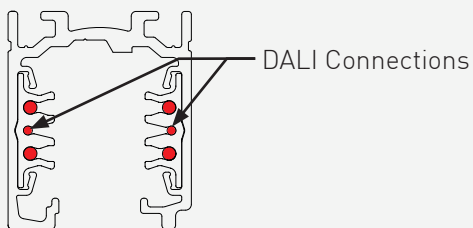
- **Completely in track**, enabling a true no-compromise design.
- **64 luminaires**, can be controlled with one single gateway, making it a very cost-efficient solution.
- **8 groups**, (4 if using Casambi Classic) can be controlled individually for different scenes/scenarios, or all the luminaires can be controlled at the same time using Broadcast commands (depending by the Casambi profile in use).
- **Two programming modes**, Standard and Fast Group, to program new luminaires found on the bus.
- **Full DALI master** that generate a DALI bus and the related DALI compatible commands.
- **Fits all major tracks**, including EUTRAC, Global, Stucchi, PowerGear and more.
- **Dimensions:** 350mm x 28mm x 14mm

WHITE PART NUMBER: 198-110-1

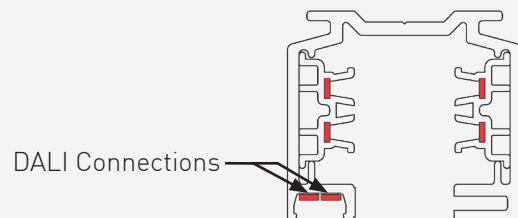
BLACK PART NUMBER: 198-110-2



Track adapters suitable for 3 circuit 6 conductor data tracks, including the following:
Eutrac Onetrack, AG Stucchi One Track, Lival Global TracPro, Uni Pro Control DALI Track



Non Dim track adapter also suitable for 4 conductor Eutrac 3 Circuit Track



DALI type 8AC adapter suitable for Eutrac with extra Databus

*The performance of high power LEDs is continually developing.
Light Projects offers the best performance LEDs available.
Enquire for currently available lumen packages.*